

# ANAGH

Anagh is a professional pedicure spa chair with a luxury design, pipeless jacuzzi function, colour therapy function, and electronic seat and backrest adjustment for a comfortable pedicure experience for the guests.





## DESIGN

Electronically operated pipeless pedicure spa chair

## FEATURES

- Pipeless Pedicure Spa for better hygiene. Easy to clean
- Electronically adjusted seat and backrest positions
- Chromotherapy - soothing colour changing lights during pedicure treatment
- One side of the pedicure spa chair can be slided back to make it easy for the guest to get on/off the chair
- Inclined foot rest for guest's comfort made from corrosion resistant SS 304 grade steel
- Solid Surface Top, precision cut on a CNC machine
- Easy to clean jacuzzi motor.
- Easy to fold and unfold wooden armrest for manicure treatments

## FOAM CUSHION

Multiple density foam cushion ( Combination 70 Density Latex and 32 Density Soft Foam Cushion )

## FRAME STRUCTURE

Natural Wood, Natural Wood Veneer, Solid Surface Artificial Marble Top and Powder Coated Mild Steel Frame

## ADJUSTMENT ( BACKREST )

Electronically adjusted through 1 x 6000N Actuator

## ADJUSTMENT ( SEATING POSITION )

Electronically adjusted through 1 x 6000N Actuator

## ADJUSTMENT ( WOODEN SIDE FRAME )

Manually slided and fitted with roller wheels

## ADJUSTMENT ( WOODEN SIDE FRAME )

Manually slided and fitted with roller wheels and slide channel

## MOTORS WEIGHT CAPACITY

150 Kgs

## UPHOLSTERY:

Type	Flame / UV / Abrasion Resistant 1.2 mm PVC Coated Fabric
Colour Options	40 colour options
Weight	660 gsm + 5%
Abrasion	EN ISO 5470=2, 25000 cycles

## WOOD FINISH:

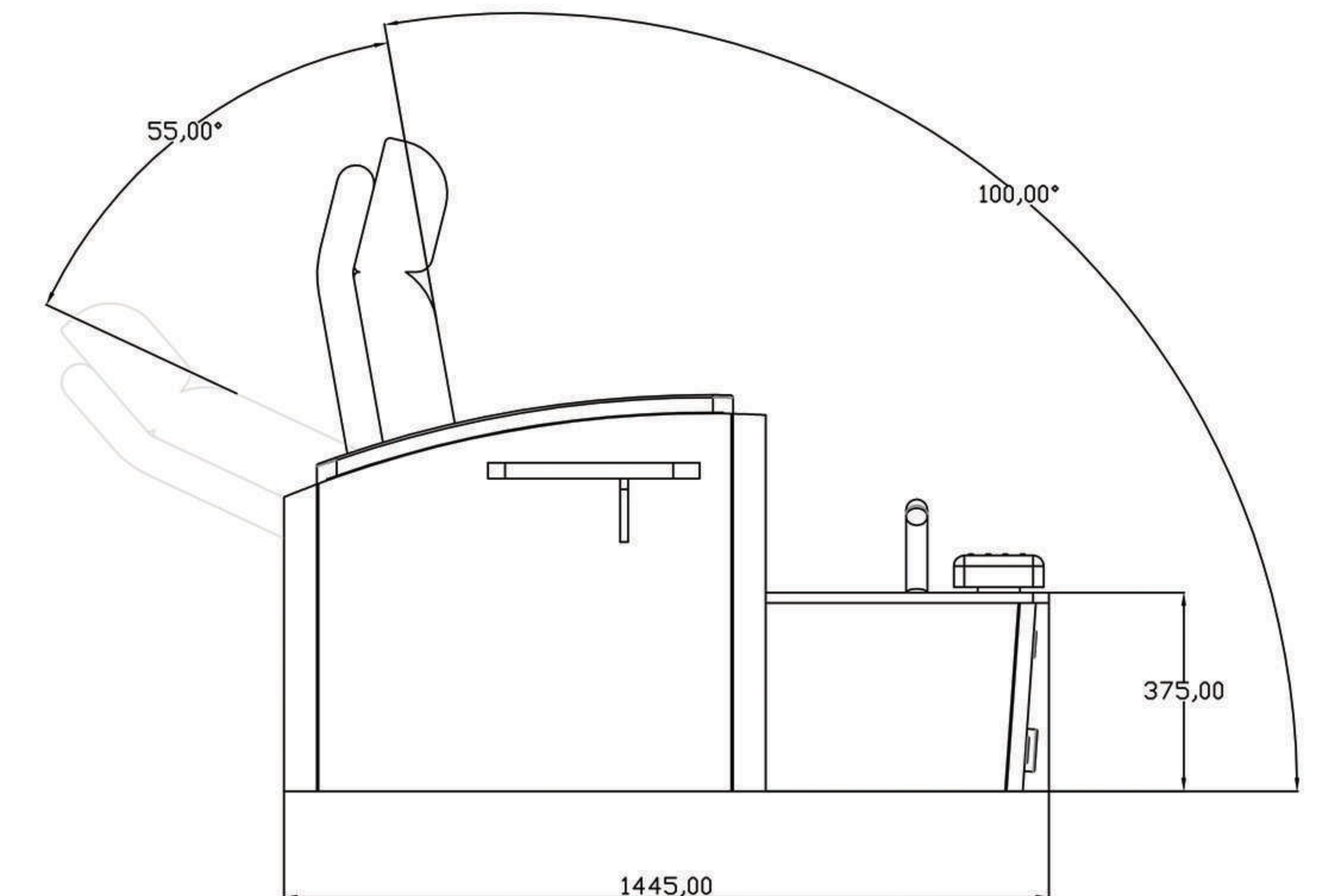
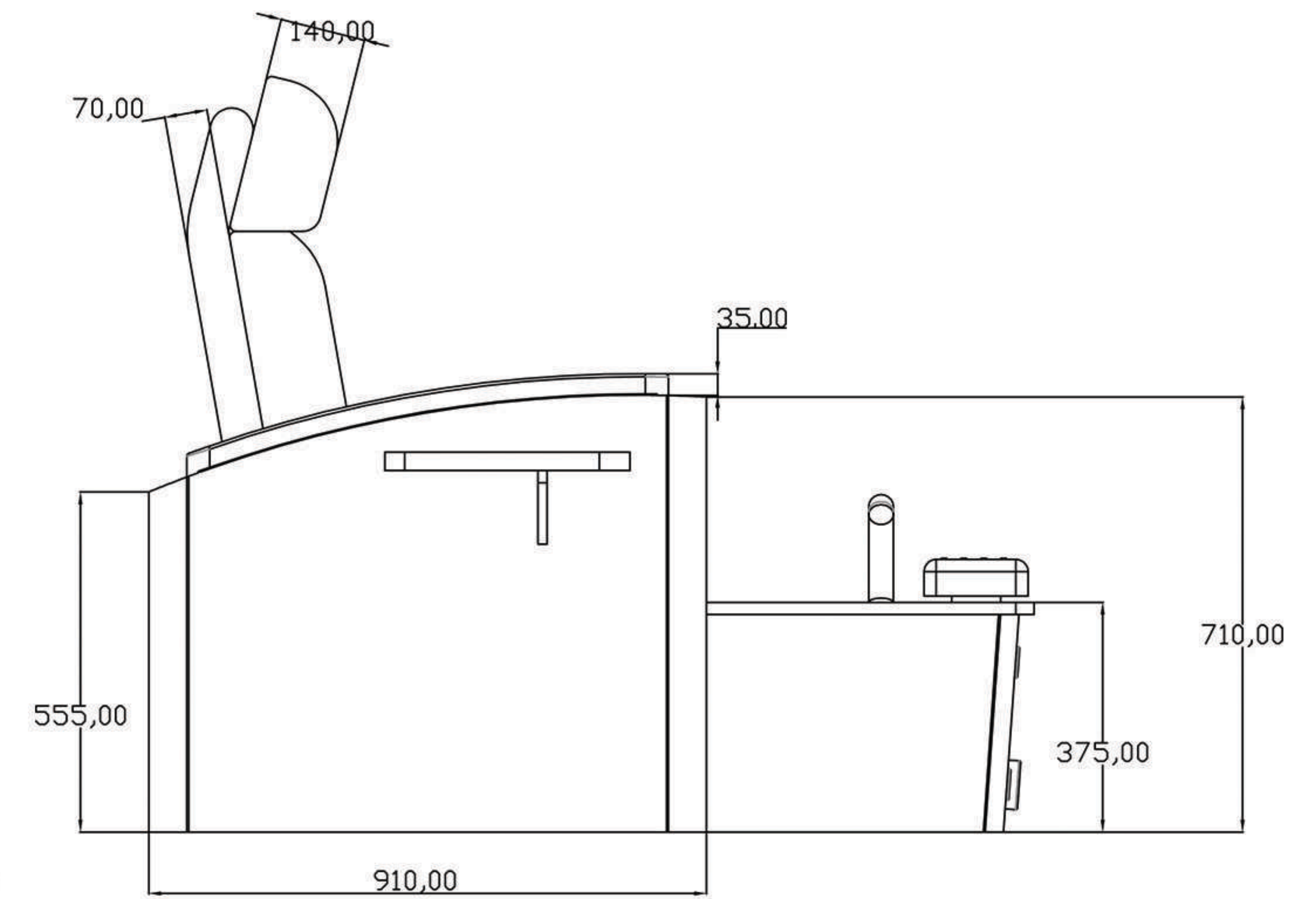
Natural American White Oak PU, Natural American White Oak Water Base, Dark Walnut, Yellow Teak, Wenge, Open Pour White Finish ( RAL 9010), Open Pour Black.

## WARRANTY:

Structure	3 years
Electronic Motors & Controls	2 years

## WEIGHTS:

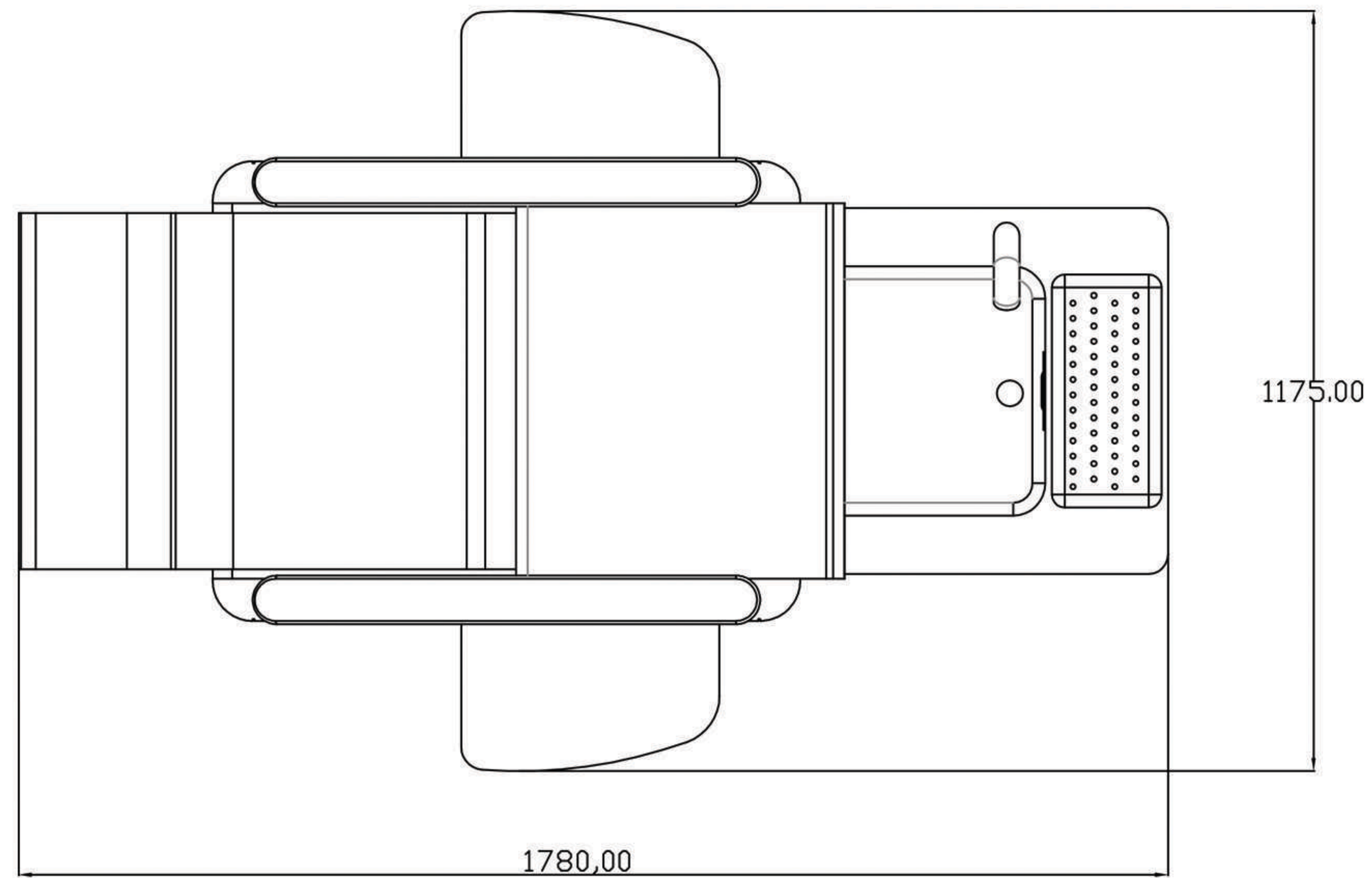
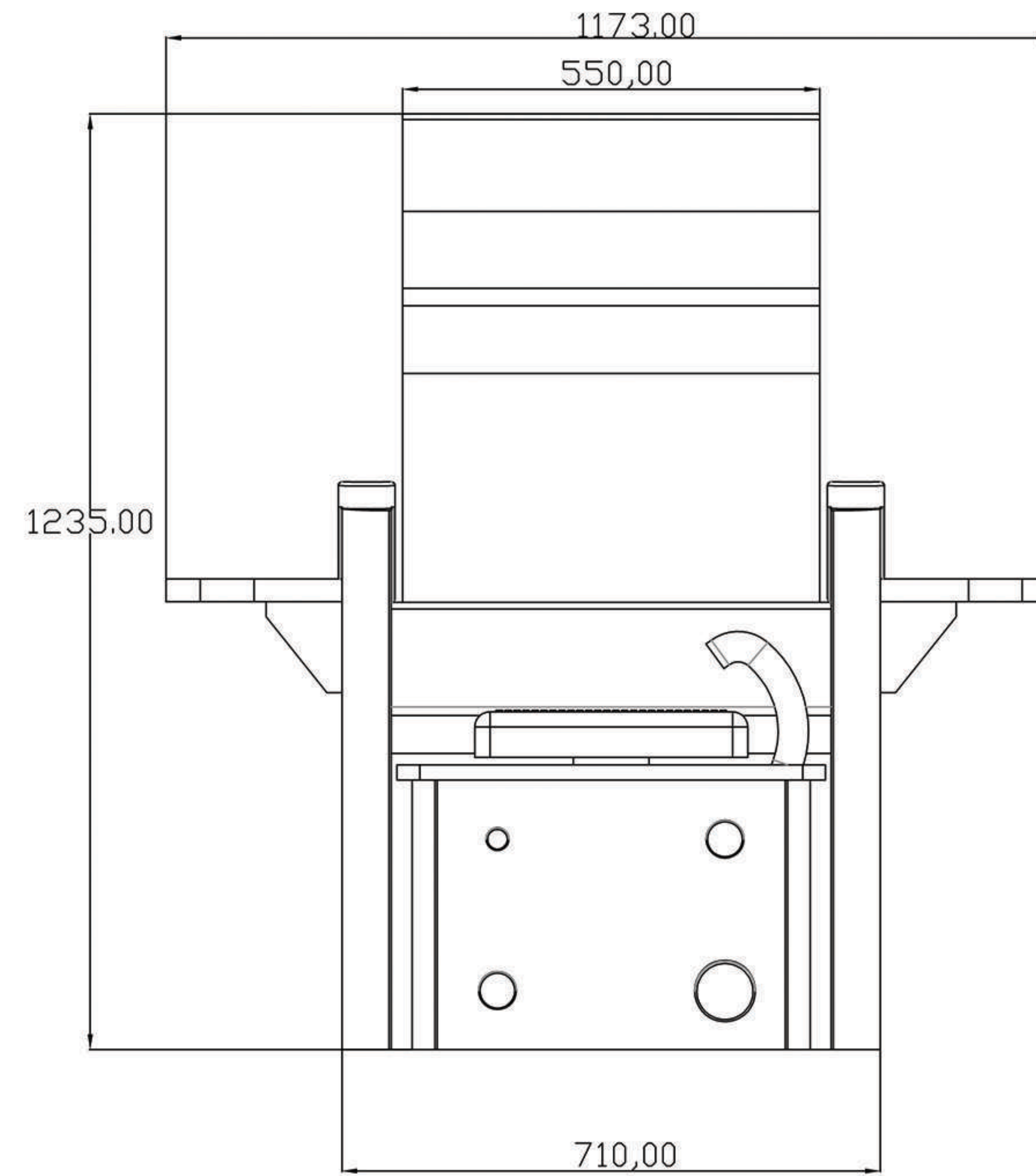
Net Weight	130 Kgs
Shipping Weight	185 Kgs
Shipping Dimension	Chair - L 105 x W 86 x H 96 and Pedicure Spa L 76 x W 69 x H 60 cm



All dimensions are in mm

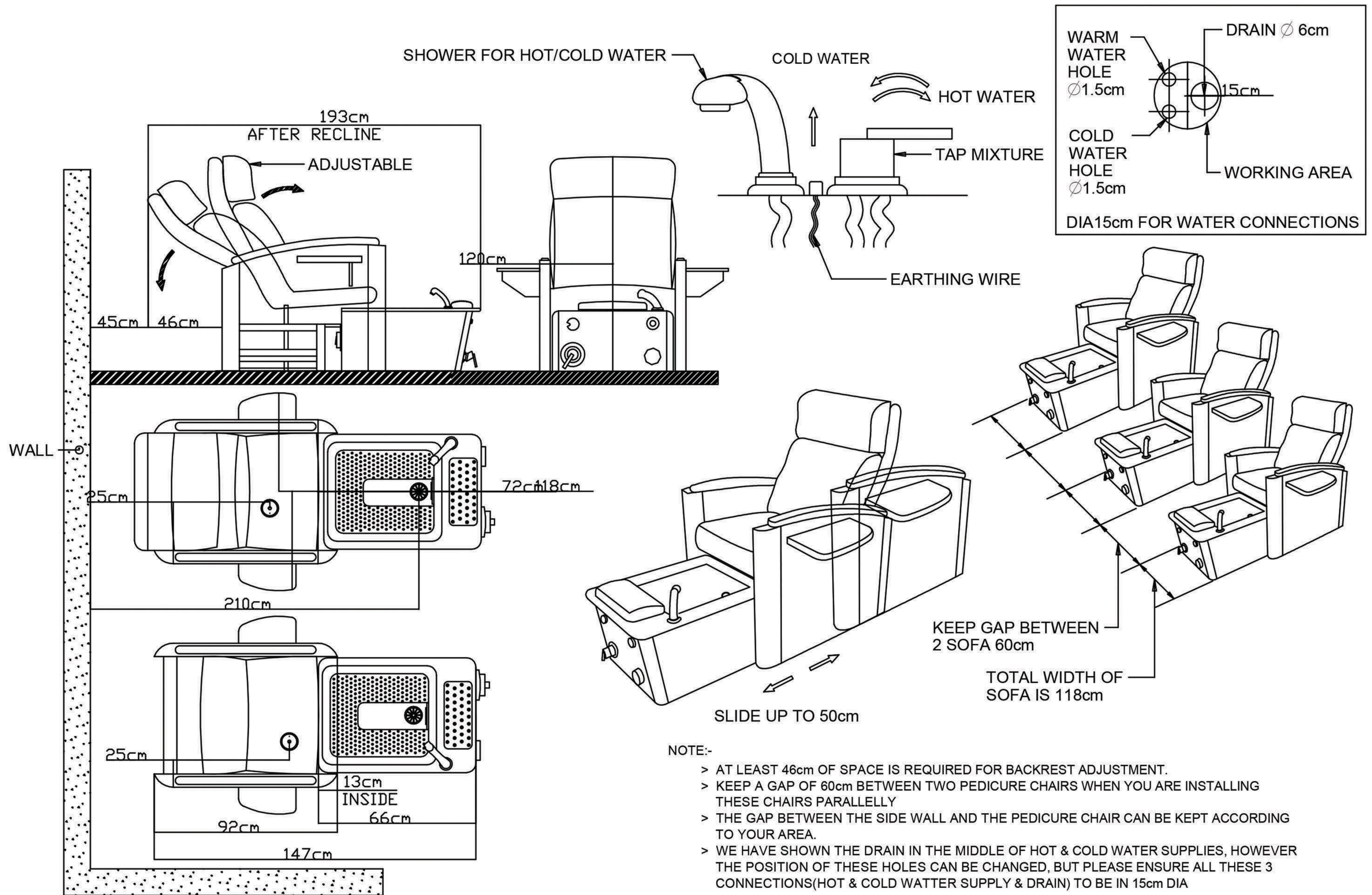


# DIMENSIONS

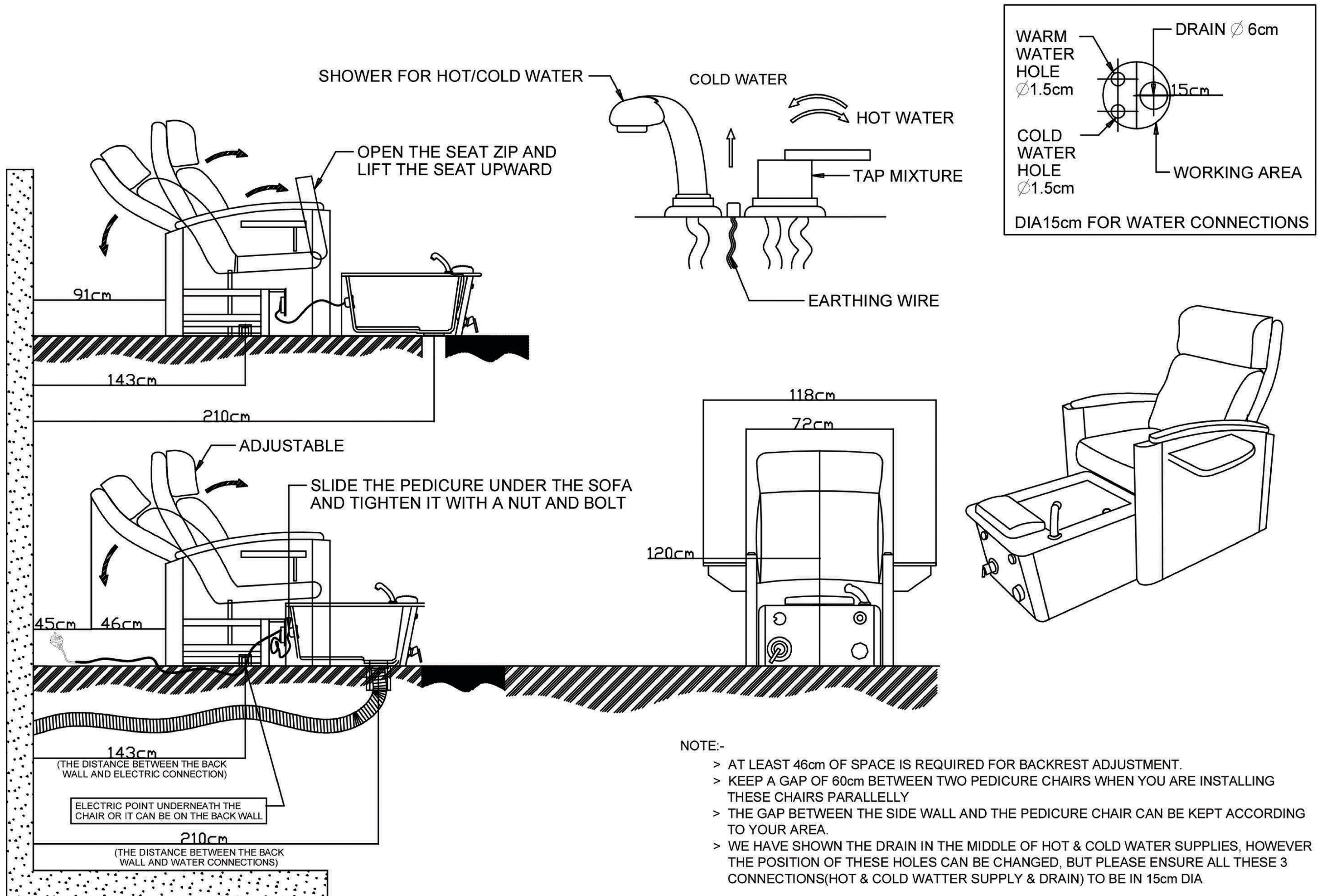


All dimensions are in mm









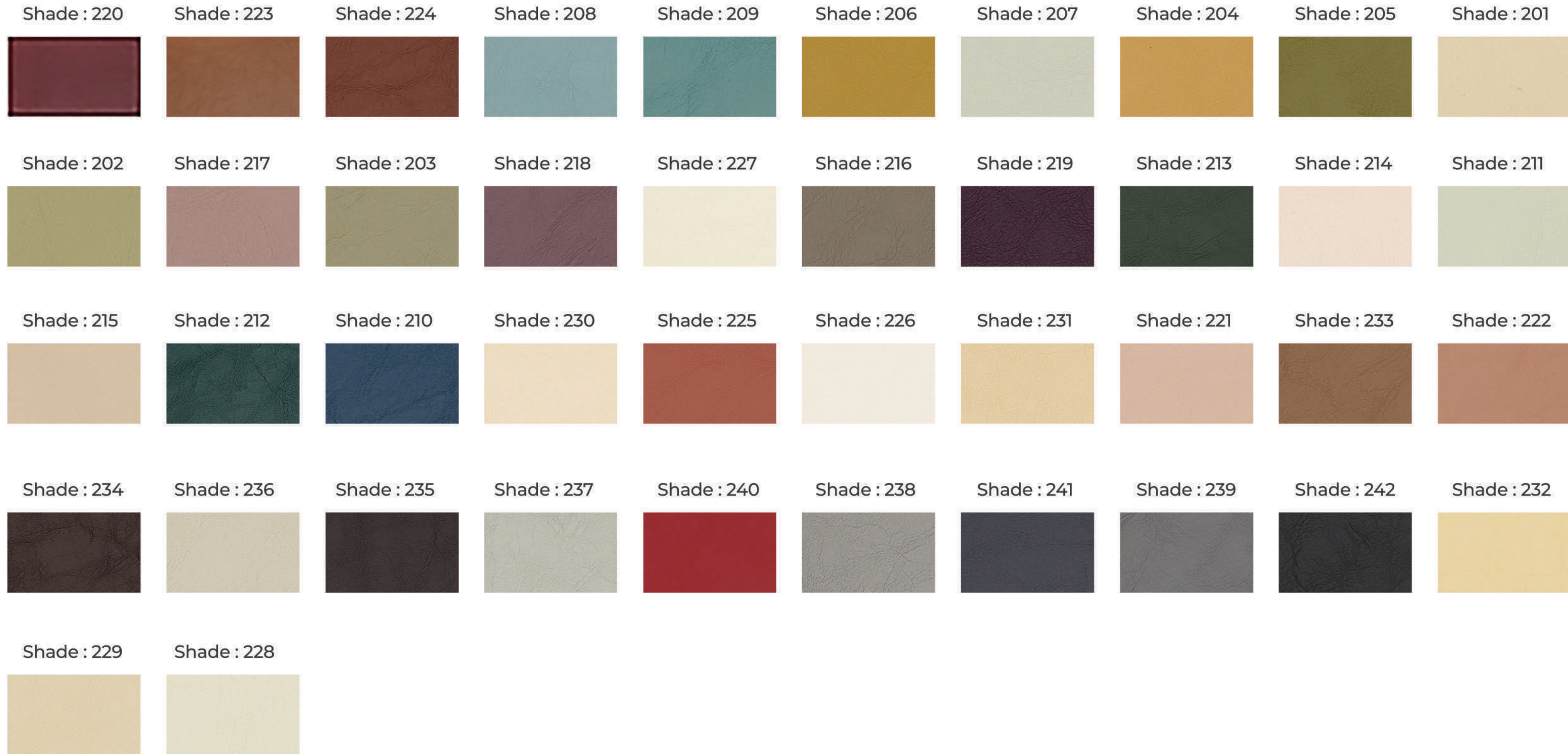
- NOTE:-
- > AT LEAST 46cm OF SPACE IS REQUIRED FOR BACKREST ADJUSTMENT.
  - > KEEP A GAP OF 60cm BETWEEN TWO PEDICURE CHAIRS WHEN YOU ARE INSTALLING THESE CHAIRS PARALLELLY
  - > THE GAP BETWEEN THE SIDE WALL AND THE PEDICURE CHAIR CAN BE KEPT ACCORDING TO YOUR AREA.
  - > WE HAVE SHOWN THE DRAIN IN THE MIDDLE OF HOT & COLD WATER SUPPLIES, HOWEVER THE POSITION OF THESE HOLES CAN BE CHANGED, BUT PLEASE ENSURE ALL THESE 3 CONNECTIONS(HOT & COLD WATTER SUPPLY & DRAIN) TO BE IN 15cm DIA

IT IS THE RESPONSIBILITY OF THE OWNER OR INSTALLER TO ENSURE THE INSTALLATION CONFORMS TO ALL LOCAL PLUMBING CODES AND REGULATIONS. THIS LAYOUT IS ONLY FOR REFERENCE PURPOSE.



# ANAGH

## Upholstery & Wood Finishes



## UPHOLSTERY



## WOOD FINISHES