

ANGAD MASSAGE BED

The Angad Massage Bed is perfect for spas and wellness centers, designed with a sleek, functional strut design and a handy storage drawer. It offers stability with a fixed height and versatility with an adjustable backrest for client comfort and therapist efficiency. Premium upholstery and foam cushioning ensure a comfortable experience, ideal for spa owners and therapists.



TOP DESIGN

Two Section Top Mattress

FOAM

120 m m mixed layers of different densities for comfortable massage experience

FRAME STRUCTURE

Solid wood construction with tenon & mortise Joinery
Reclining Mechanism is Nylon and SS 304 (corrosion resistant material)

ADJUSTMENTS

Height Fixed Height
Backrest Manual Backrest Adjustment

STORAGE

Drawer Size 480 x 694 x 214 mm (LxDxH)

LOAD BEARING CAPACITY

250 kgs

UPHOLSTERY

Type Flame / UV / Abrasion Resistant 1.2 mm
PVC Coated Fabric
Color Options 40 Colour Options
Weight 660 gsm + 5%
Abrasion EN ISO 5470=2, 25000 cycles

WOOD FINISH

Dark Walnut, Yellow Teak, Natural Spruce and Wenge

WARRANTY

Structure 5 years
Upholstery 1 year

WEIGHTS

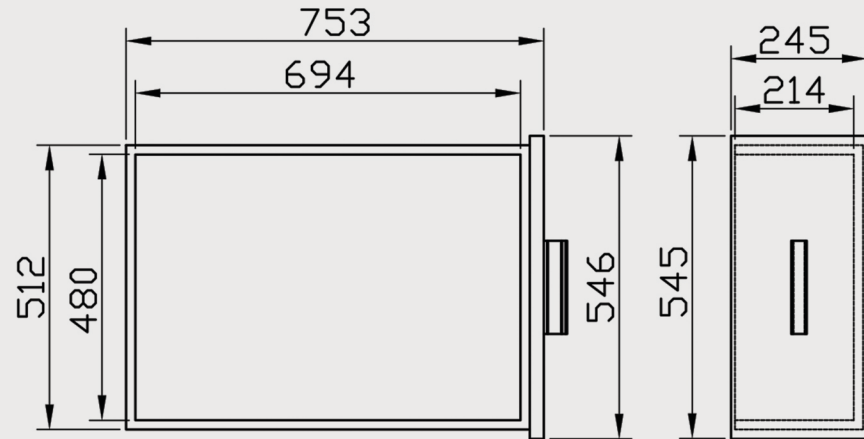
Table Weight 82 Kgs
Shipping weight 140 Kgs
Shipping Dimensions L 207 X W 91 X H 91 CMS

OPTIONAL FEATURE

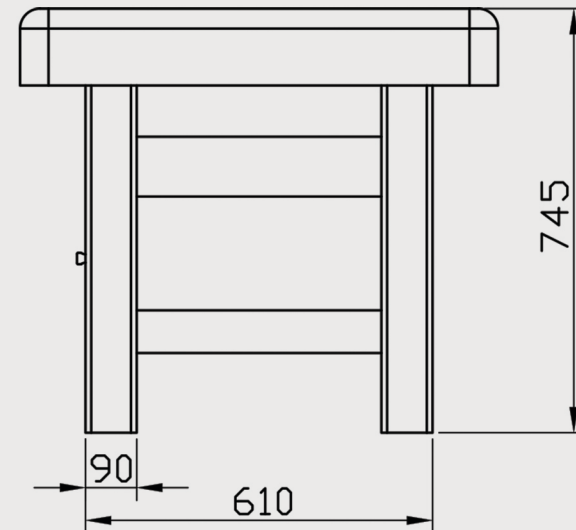
Manual height adjustment can be added at extra costs

NOTE

General wear and tear and use of harsh chemicals will void your warranty on the upholstery



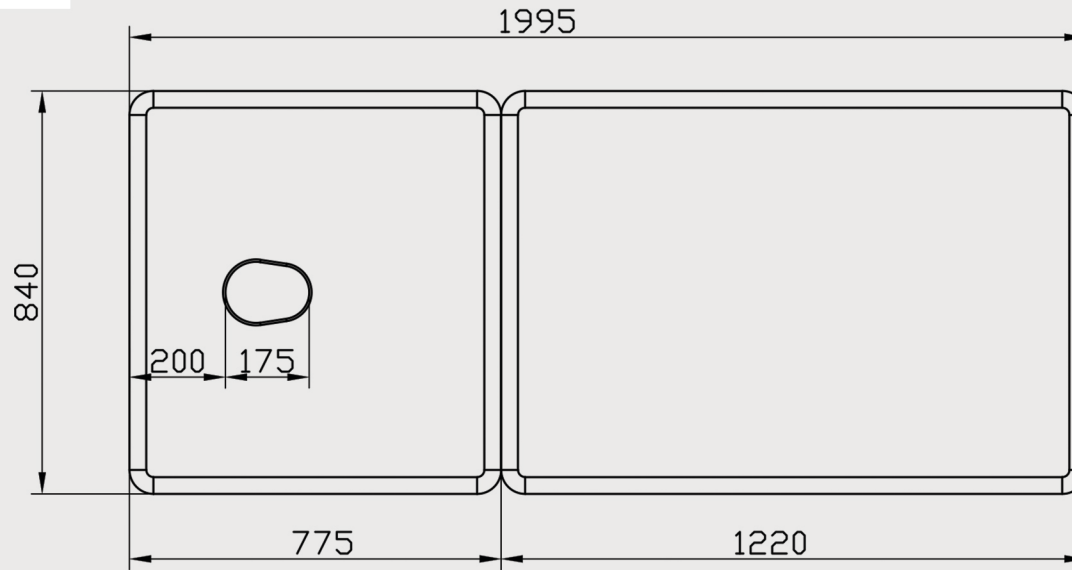
DETAIL:- A



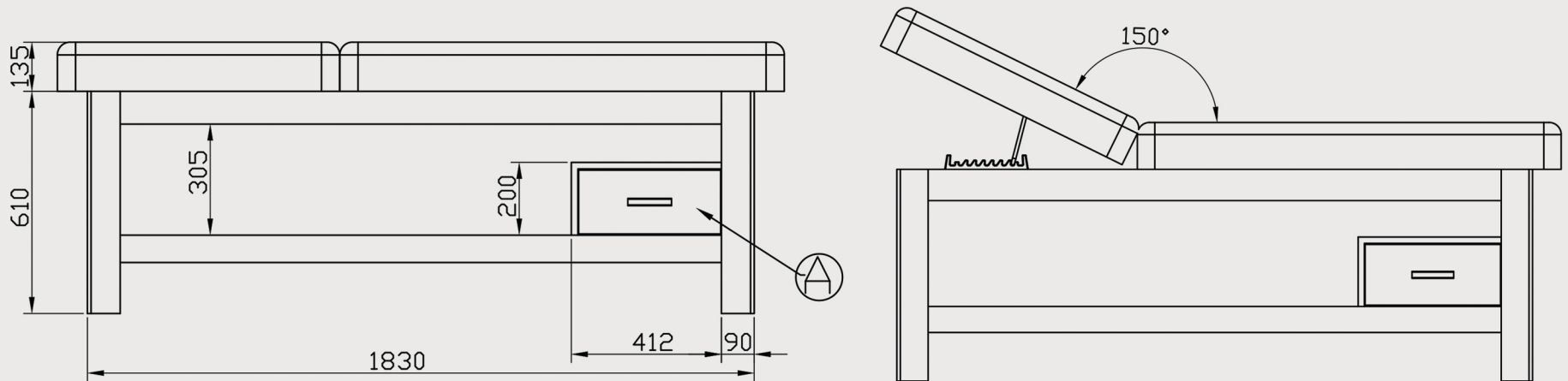
SIDE VIEW

All dimensions are in mm

TOP VIEW



FRONT VIEW



All dimensions are in mm