

BLISS HARDWOOD MASSAGE BED

The Bliss Hardwood Massage Bed by Esthetica embodies luxury and durability. Made from premium teak wood using tenon and mortise joinery, this top-selling massage table combines elegance and robustness. Available for indoor or outdoor use with an exterior-grade wood coating and saltwater-resistant upholstery, ideal for coastal locations. The bed includes a handcrafted face cradle, manually adjustable height, and adaptable backrest for exceptional comfort and functionality, enhancing the massage experience at any establishment



FRAME STRUCTURE

Crafted in premium teak wood for outdoor and indoor use
Exterior Grade Wood Coatings to withstand harsh weather conditions
Salt water resistant upholstery
Detachable face cradle

TOP DESIGN

Two Section Top Mattress

FOAM

120 mm mixed layers of different densities for comfortable massage experience

FRAME STRUCTURE

Solid Teak wood construction with tenon & mortise Joinery
Reclining Mechanism is Nylon and SS 304 (corrosion resistant material)

ADJUSTMENTS

Height	Manual Height Adjustment
Backrest	Manual Backrest Adjustment

STORAGE

Open storage underneath to store spa essentials and towels.

LOAD BEARING CAPACITY

250 kgs

UPHOLSTERY

Type	Flame / UV / Abrasion Resistant 1.2 mm PVC Coated Fabric
Color Options	40 Colour Options
Weight	660 gsm + 5%
Abrasion	EN ISO 5470=2, 25000 cycles

WOOD FINISH

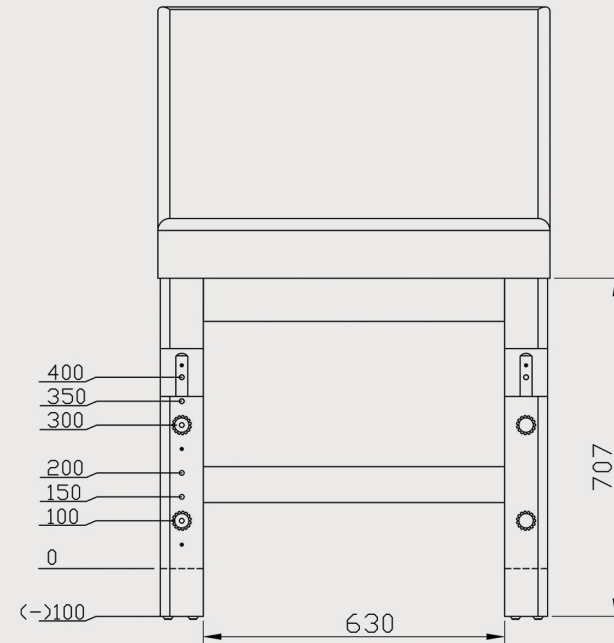
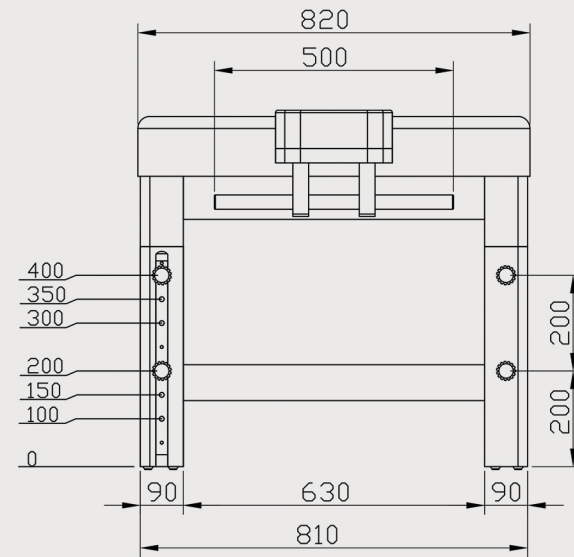
Natural Teak Finish, Natural Teak White Wash Finish, Yellow Teak Finish

WARRANTY

Structure	5 years
Upholstery	1 year

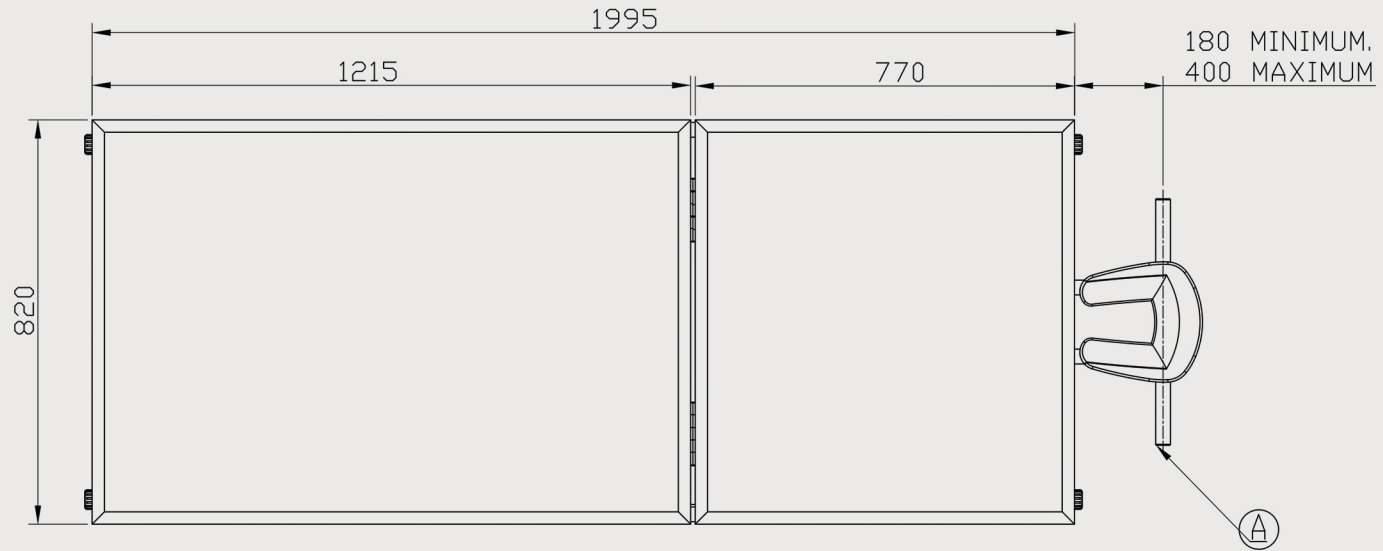
WEIGHTS

Table Weight	90 Kgs
Shipping weight	150 Kgs
Shipping Dimensions	L 211 X W 91 X H 91 CMS

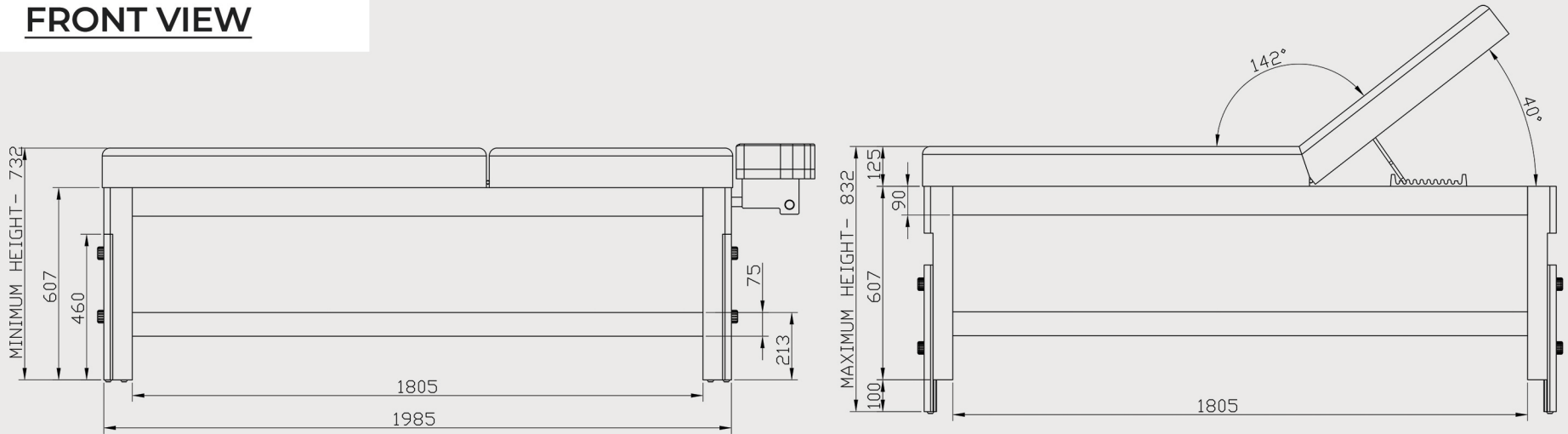


All dimensions are in mm

TOP VIEW



FRONT VIEW



All dimensions are in mm