

# MAHARAJA

Maharaja is a versatile treatment table suitable for massage and beauty treatments. Professional 4 motors design for electronic height, backrest and leg rest adjustments. It comes with a detachable armrests, face cradle and head pillow. There is ample storage space underneath to store your spa essentials.





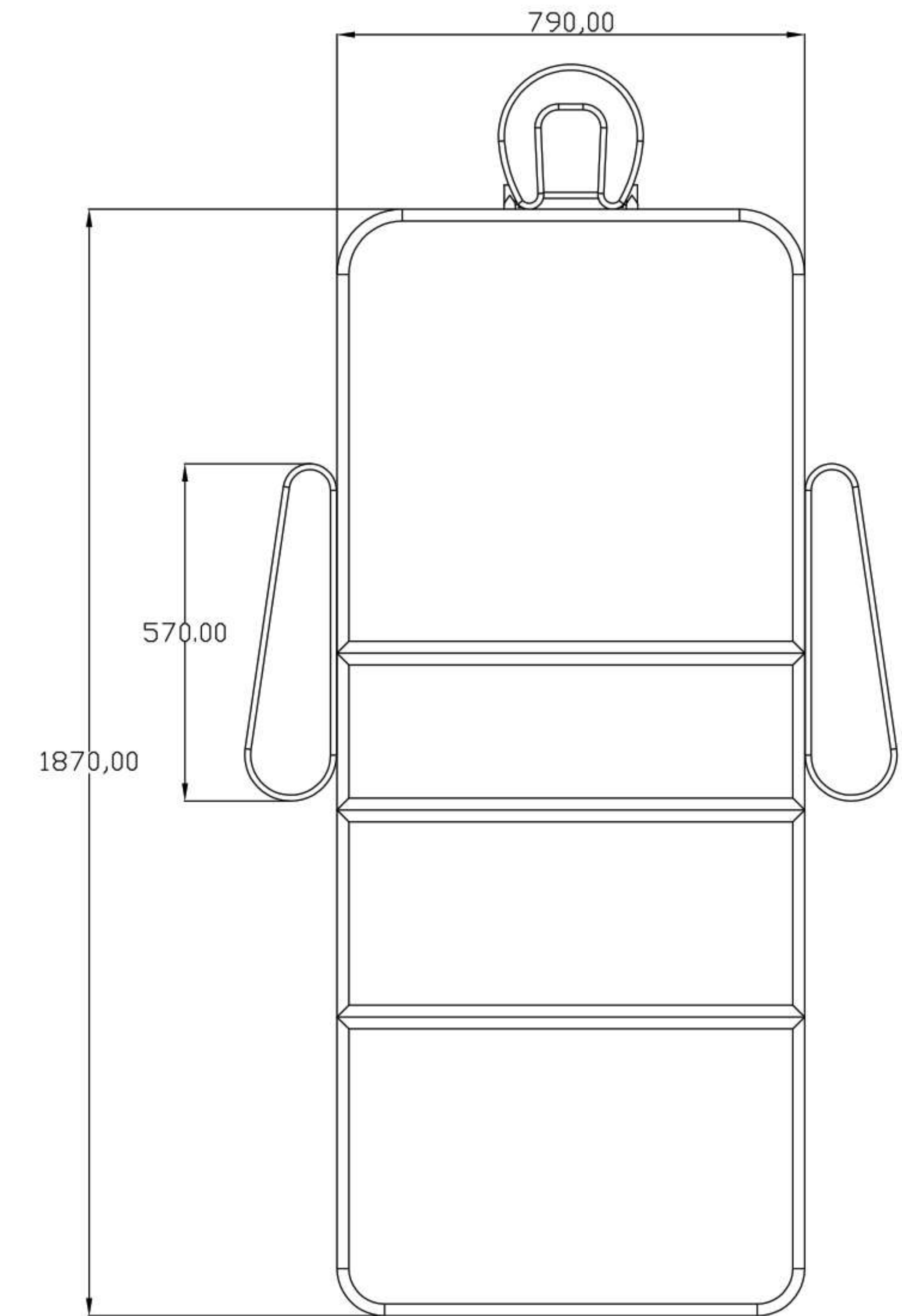
**TOP:**

Top Design  
 Foam  
 Frame Structure  
 Adjustment (Height)  
 Adjustment (Back Rest)  
 Adjustment (Leg Rest)  
 Adjustment (Arm Rest)  
 Accesories Supplied  
 Lifting Capacity

Four piece adjustable top cushion  
 170 mm mixed layers of different densities for comfortable massage experience  
 Natural Wood, Natural Wood Veneer and Powder Coated Mild Steel Frame  
 Electronically adjusted through 2 x 6000N Actuators  
 Electronically adjusted through 1 x 6000N Actuator  
 Electronically adjusted through 1 x 6000N Actuator  
 Lockable Gas Springs  

- Detachable armrests made in SS 304 grade
- Detachable face cradle which is adjustable and comes with face cushion
- Detachable head pillow

 250 Kgs

**UPHOLSTERY:**

Type  
 Colour Options  
 Weight  
 Abrasion

Flame / UV / Abrasion Resistant 1.2 mm PVC Coated Fabric  
 40 colour options  
 660 gsm + 5%  
 EN ISO 5470=2, 25000 Cycles

**WOOD FINISH:**

Natural American White Oak PU, Natural American White Oak Water Base, Dark Walnut, Yellow Teak, Wenge, Open Pour White Finish ( RAL 9010), Open Pour Black.

**WARRANTY:**

Structure  
 Electronic Motors & Controls

3 years  
 2 years

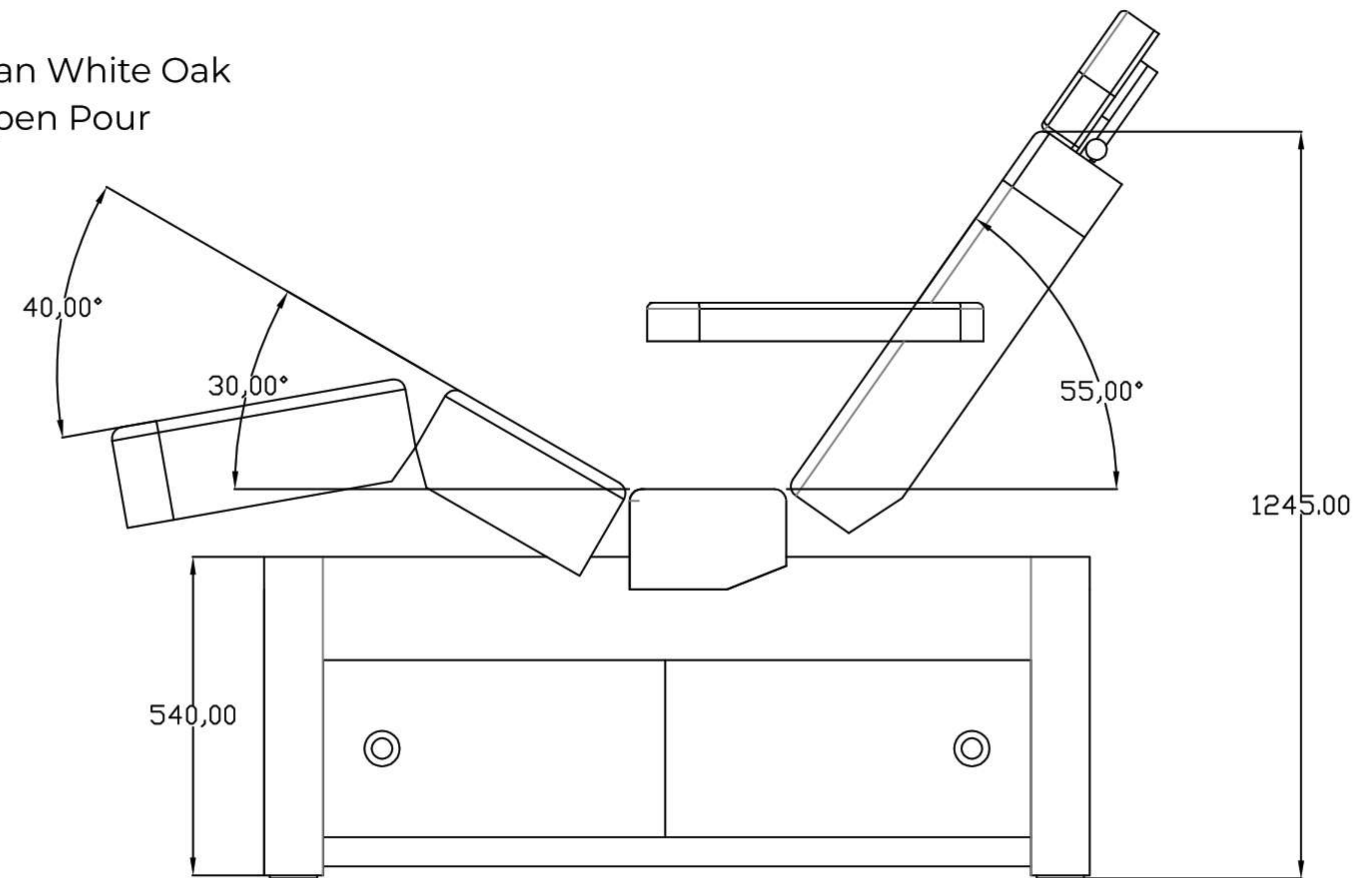
**WEIGHTS:**

Table Weight  
 Shipping Weight  
 Shipping Dimension

151 Kg  
 225 Kgs  
 L 200 x W 88 x H 86 cm

**OPTIONAL:**

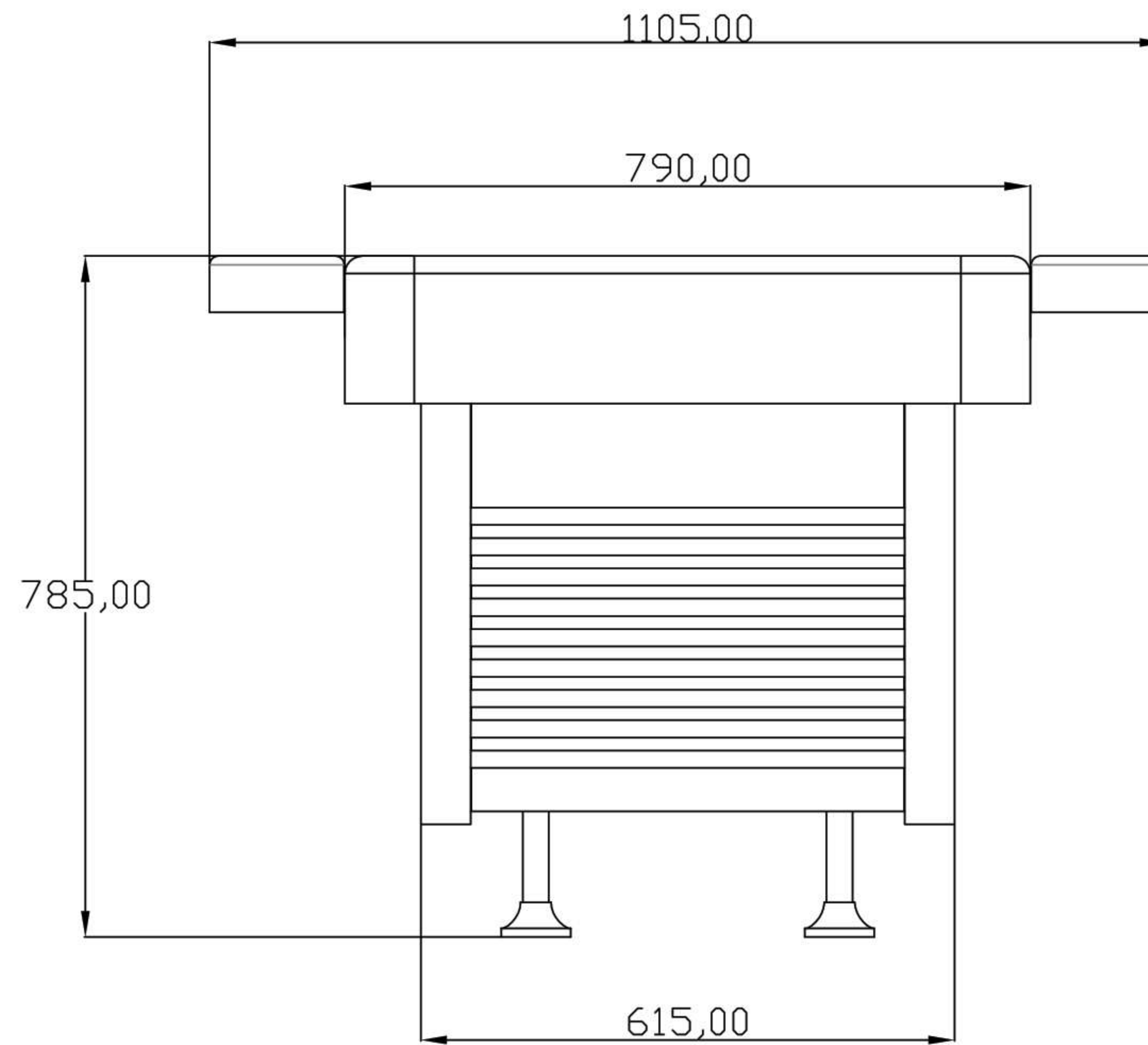
External Electric heating blanket



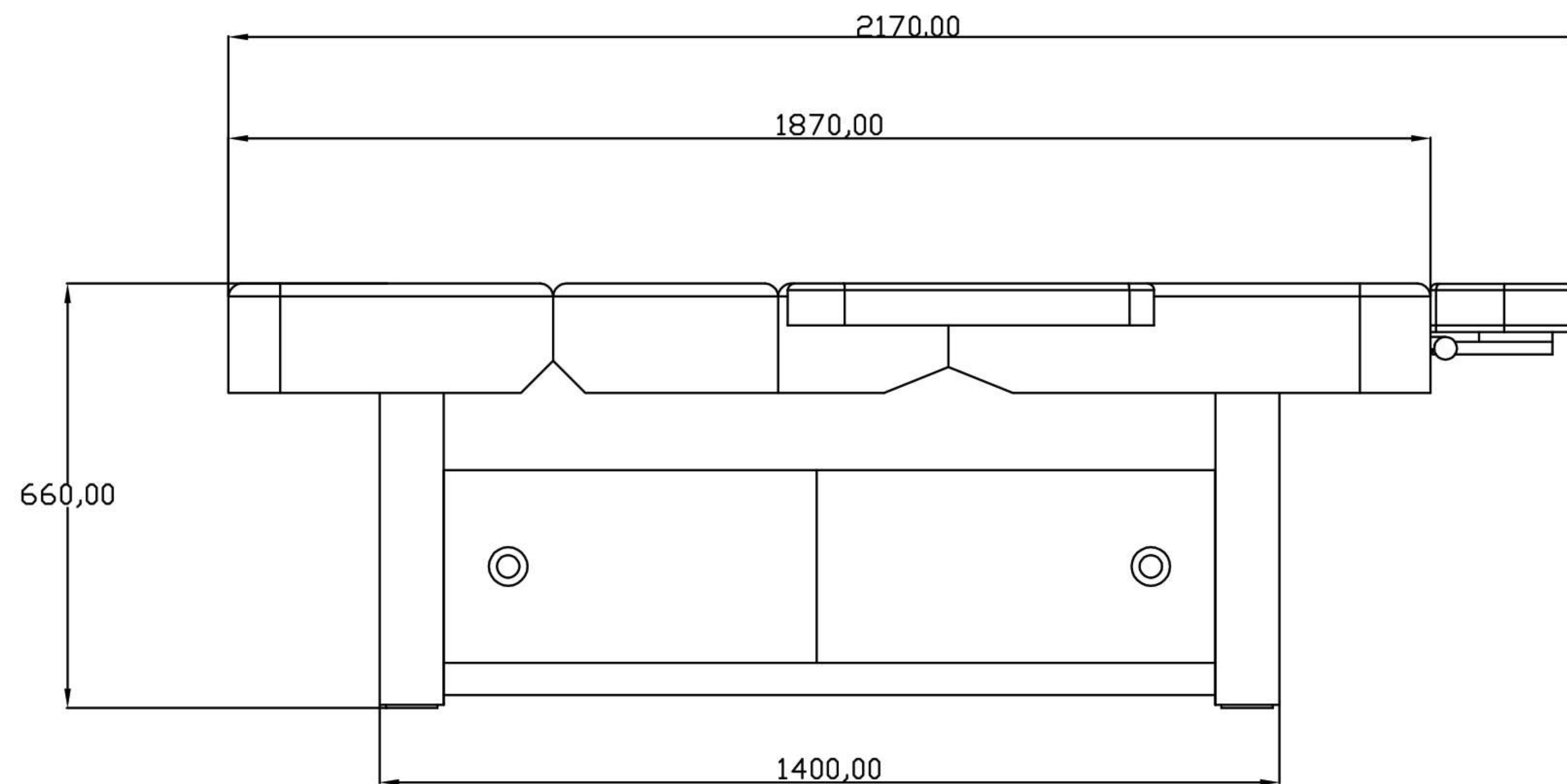
All dimensions are in mm



## MAXIMUM HEIGHT



## MINIMUM HEIGHT

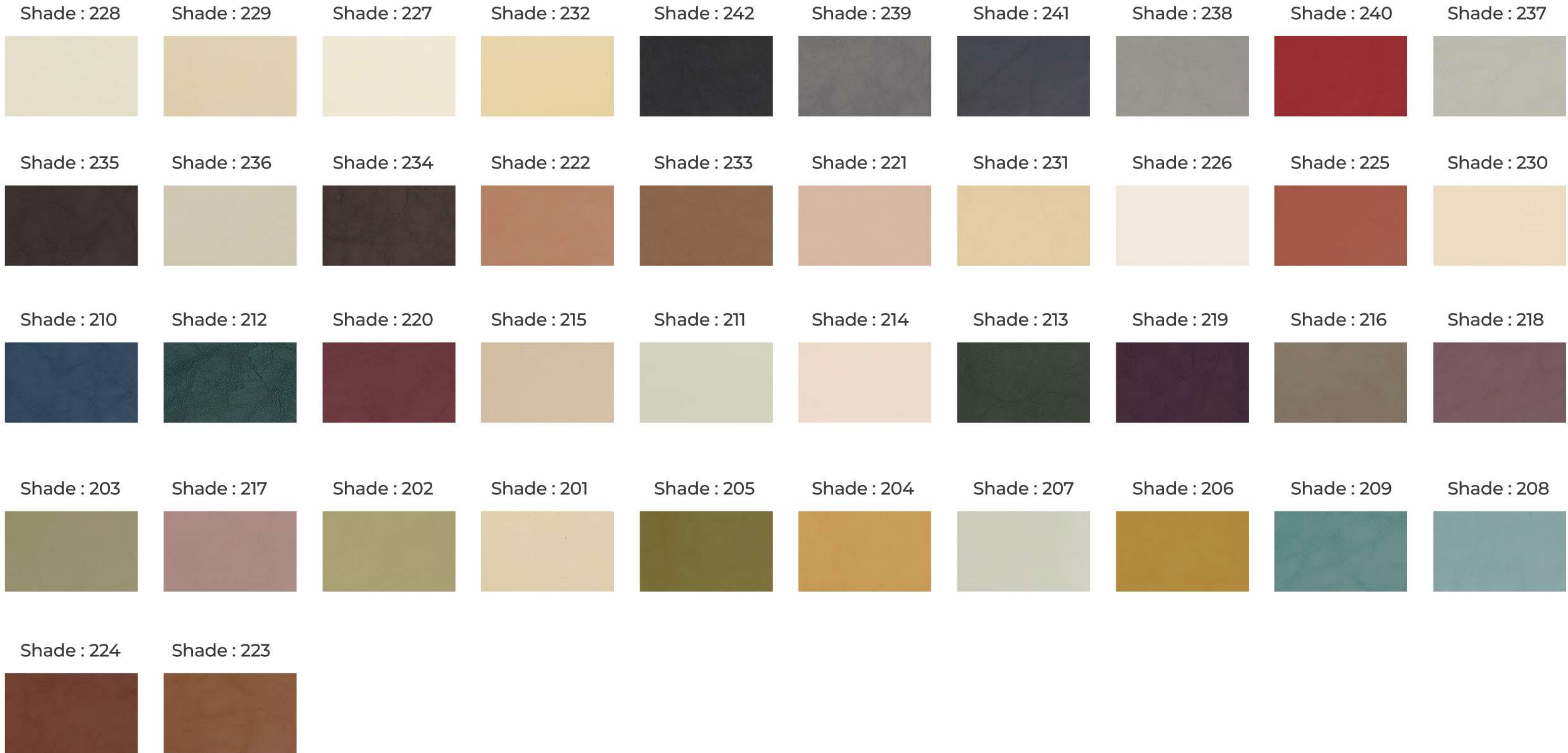


All dimensions are in mm



# MAHARAJA

## Upholstery & Wood Finishes



## UPHOLSTERY



## WOOD FINISHES