

MANGAL MASSAGE BED

The Mangal Massage Bed is a professional facial and massage bed designed for salons and day spas. Crafted from solid wood, it combines durability with an attractive aesthetic ideal for any spa or salon setting.



TOP DESIGN

Two Section Top Mattress

FOAM

120 mm mixed layers of different densities for comfortable massage experience

FRAME STRUCTURE

Solid wood construction with tenon & mortise Joinery
Reclining Mechanism is Nylon and SS 304 (corrosion resistant material)

ADJUSTMENTS

Height Fixed Height
Backrest Manual Backrest Adjustment

STORAGE

Open storage space underneath to store spa essentials

LOAD BEARING CAPACITY

250 kgs

UPHOLSTERY

Type Flame / UV / Abrasion Resistant 1.2 mm
PVC Coated Fabric
Color Options 40 Colour Options
Weight 660 gsm + 5%
Abrasion EN ISO 5470=2, 25000 cycles

WOOD FINISH

Dark Walnut, Yellow Teak, Natural Spruce and Wenge

WARRANTY

Structure 5 years
Upholstery 1 year

WEIGHTS

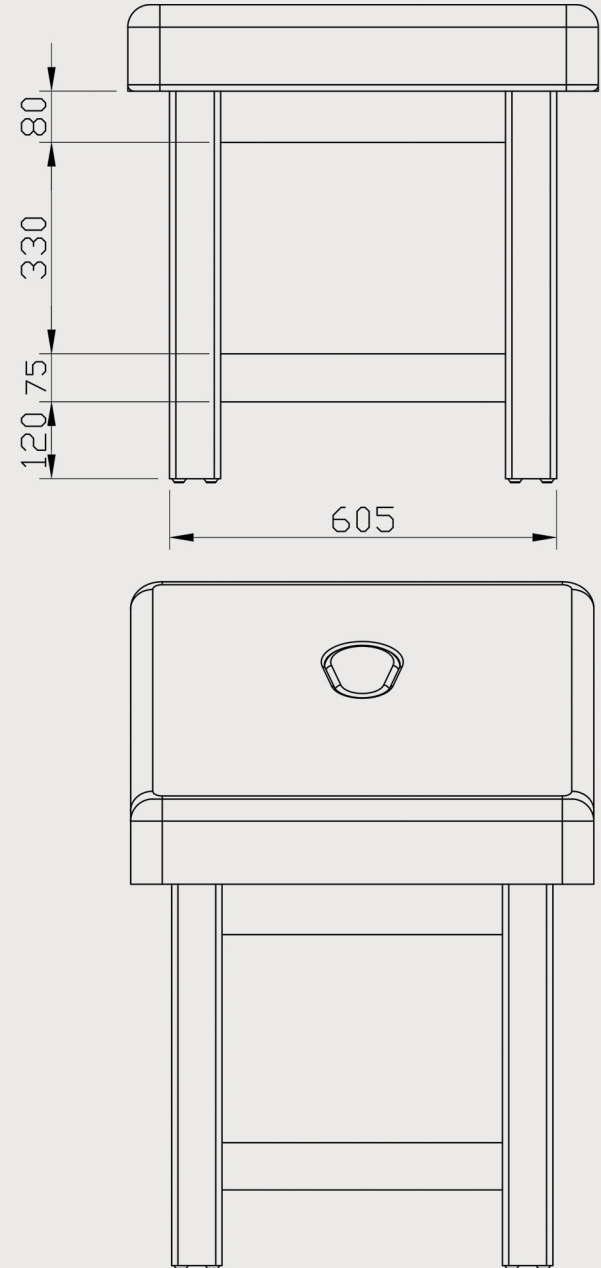
Table Weight 60 Kgs
Shipping weight 115 Kgs
Shipping Dimensions L 202 X W 91 X H 82 CMS

OPTIONAL FEATURE

Manual height adjustment can be added at extra costs

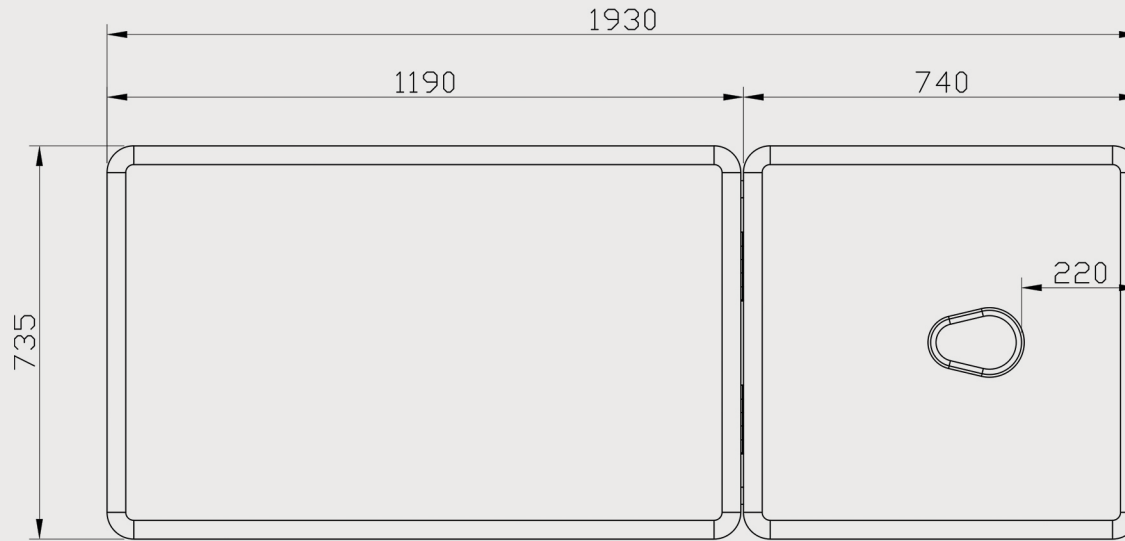
NOTE

General wear and tear and use of harsh chemicals will void your warranty on the upholstery

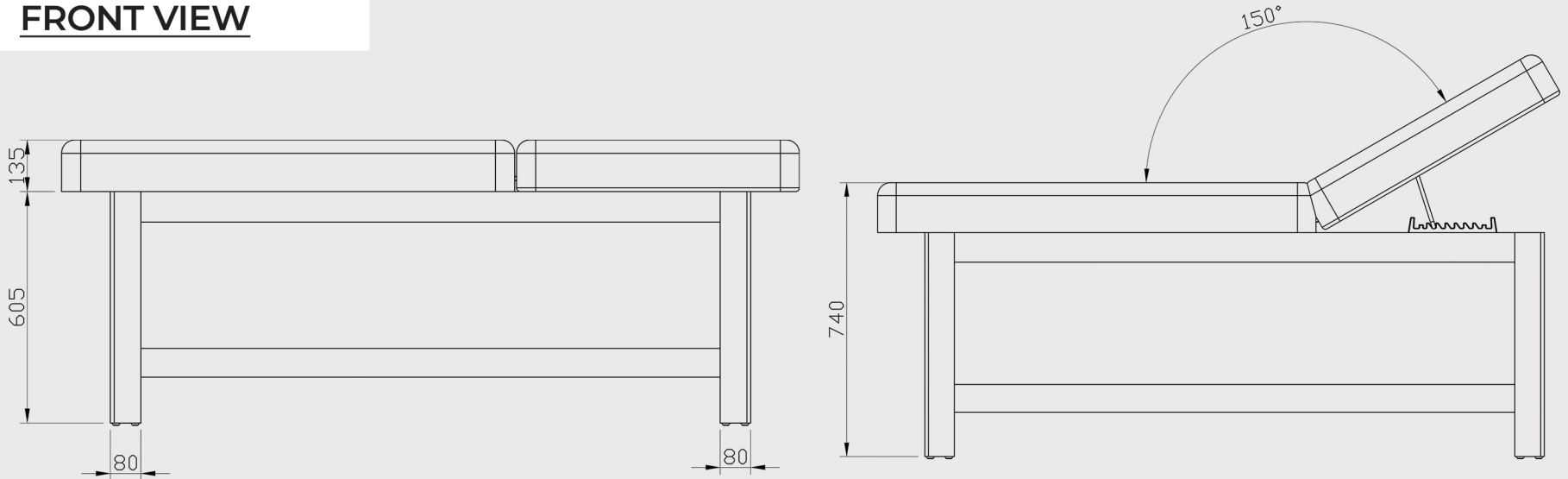


All dimensions are in mm

TOP VIEW



FRONT VIEW



All dimensions are in mm