

MAYA MASSAGE BED

Maya Massage Bed is a splendid addition to any professional spa. Crafted with the time-tested mortise and tenon technique, it guarantees stability and durability during daily use in a bustling spa or wellness centre.



TOP DESIGN:

Two Section Top Mattress

FOAM:

117 mm mixed layers of different densities for comfortable massage experience

UPHOLSTERY:

PVC Coated Fabric

FRAME STRUCTURE:

Solid wood construction with tenon & mortise Joinery
Reclining Mechanism is Nylon and SS 304 (corrosion resistant material)

ADJUSTMENT (HEIGHT):

Fixed Height

ADJUSTMENT (BACKREST):

Manual backrest adjustment

STORAGE SPACE:

80 x 52 x 31 cm

LOAD BEARING CAPACITY:

250 kgs

UPHOLSTERY:

Type	Flame / UV / Abrasion Resistant 1.2 mm Coated Fabric
Color Options	40 Colour Options
Weight	660 gsm + 5%
Abrasion	EN ISO 5470=2, 25000 cycles

WOOD FINISH:

Dark Walnut, Yellow Teak, Natural Spruce and Wenge Colour

WARRANTY:

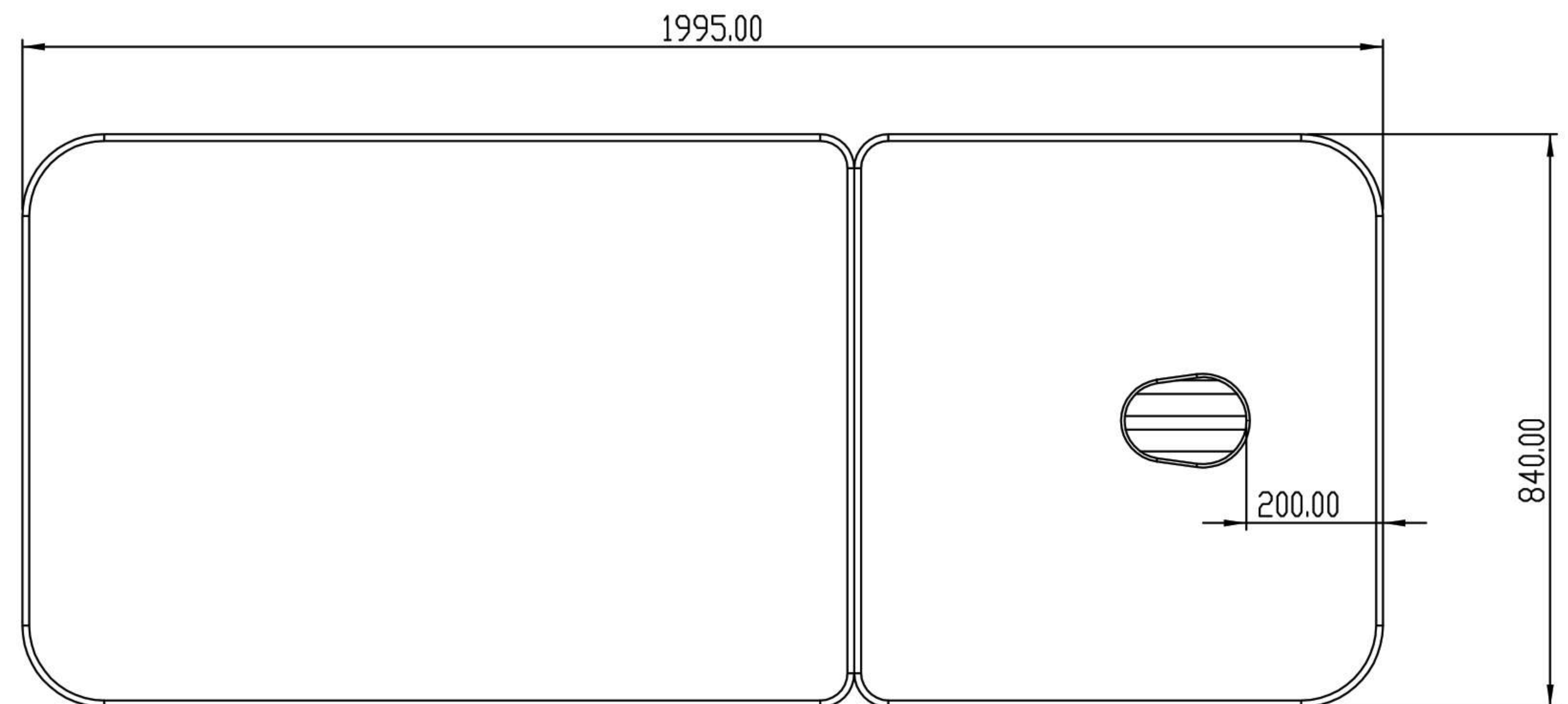
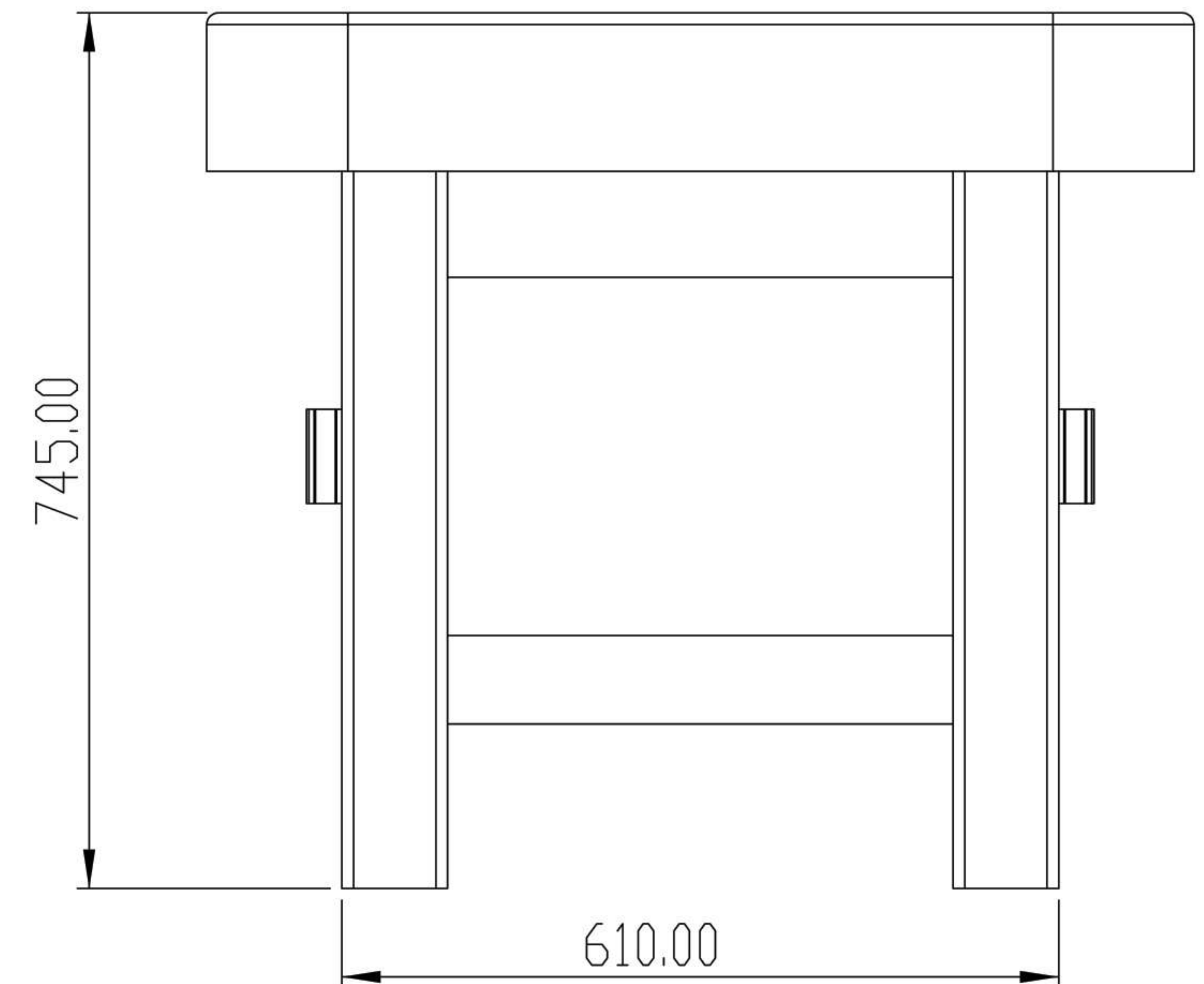
Structure	5 years
Upholstery	1 year

WEIGHTS:

Table Weight	90 kgs
Shipping weight	118 kgs
Shipping Dimensions	210 x 90 x 90 cm

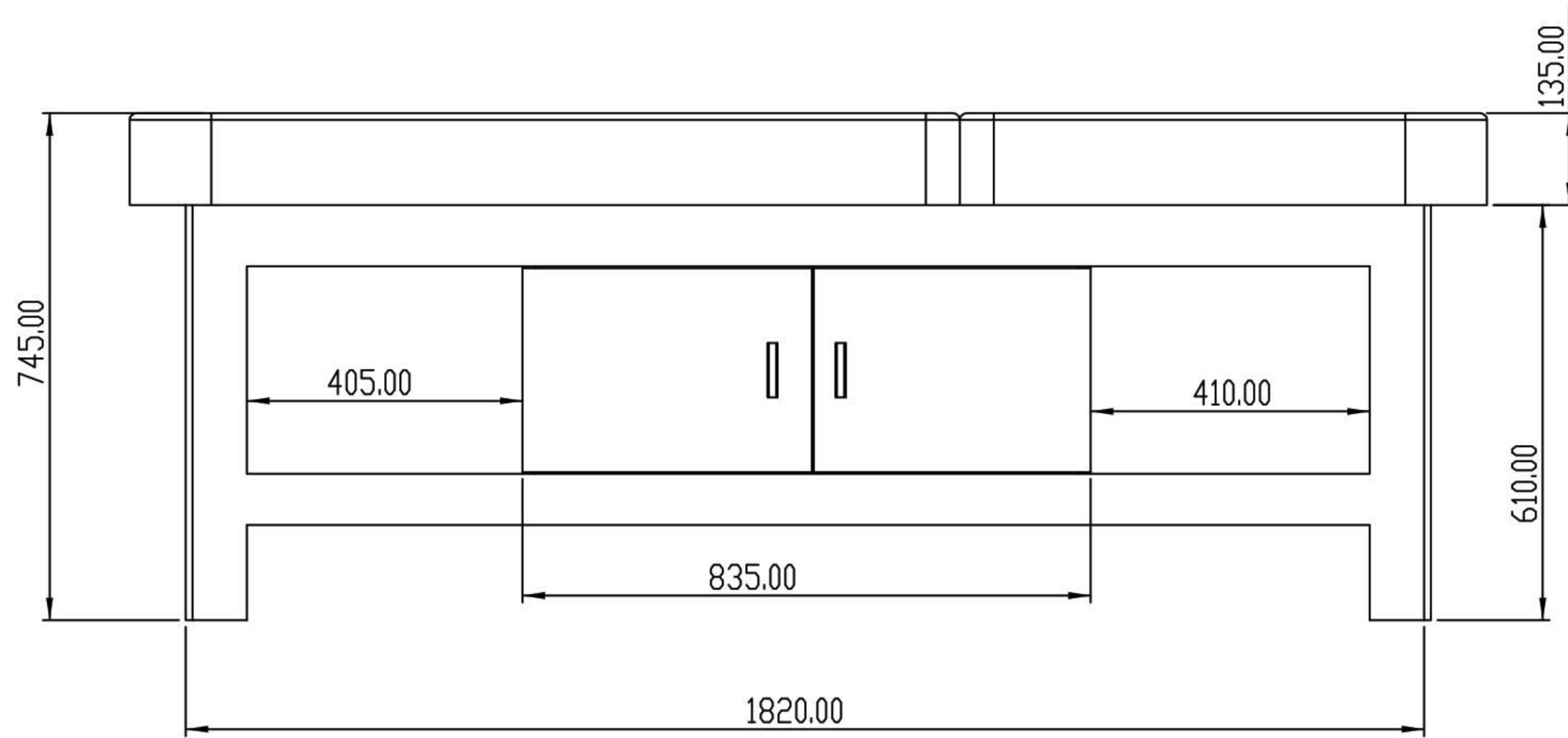
OPTIONAL :

Height adjustment feature can be added on request

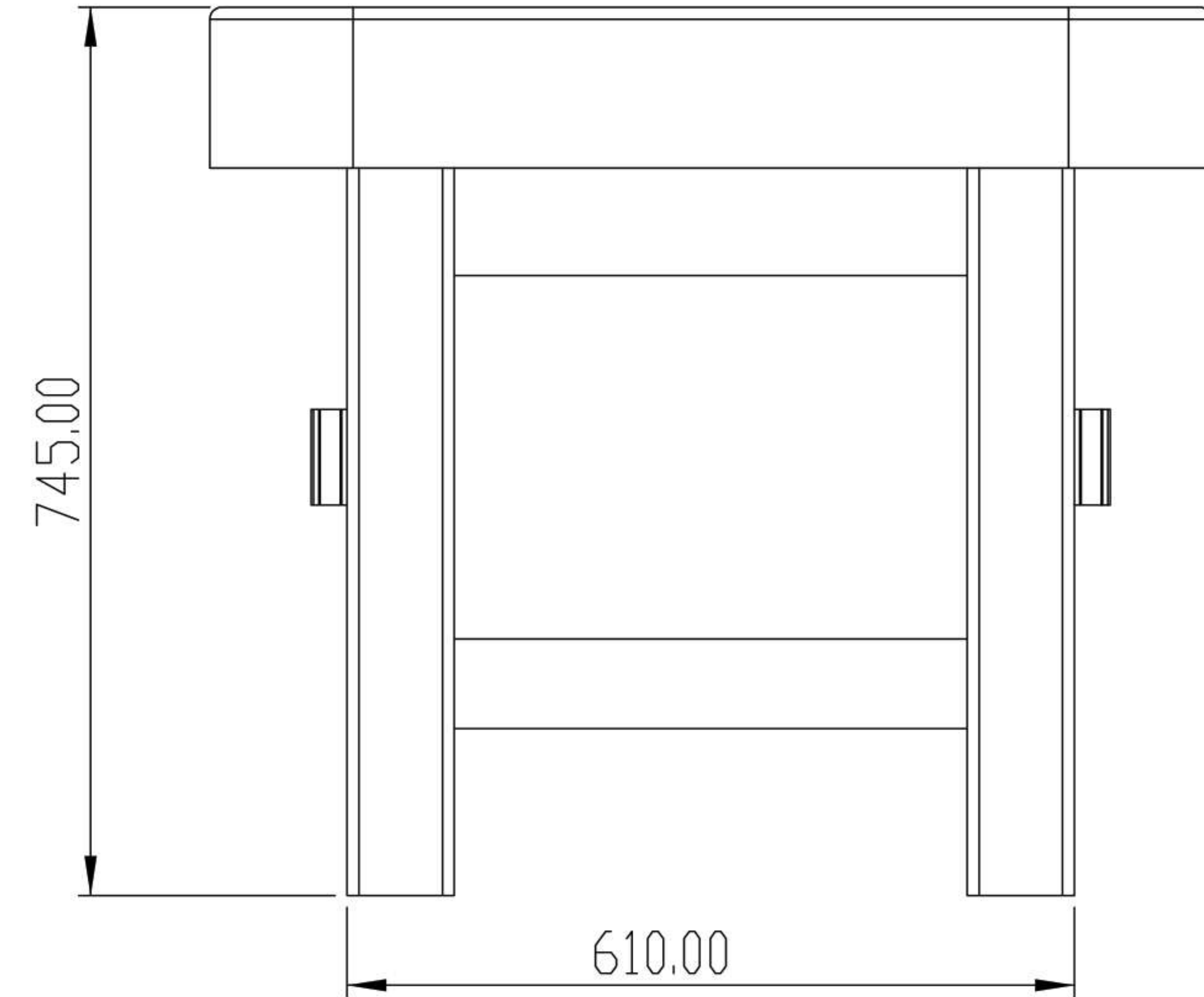


All dimensions are in mm

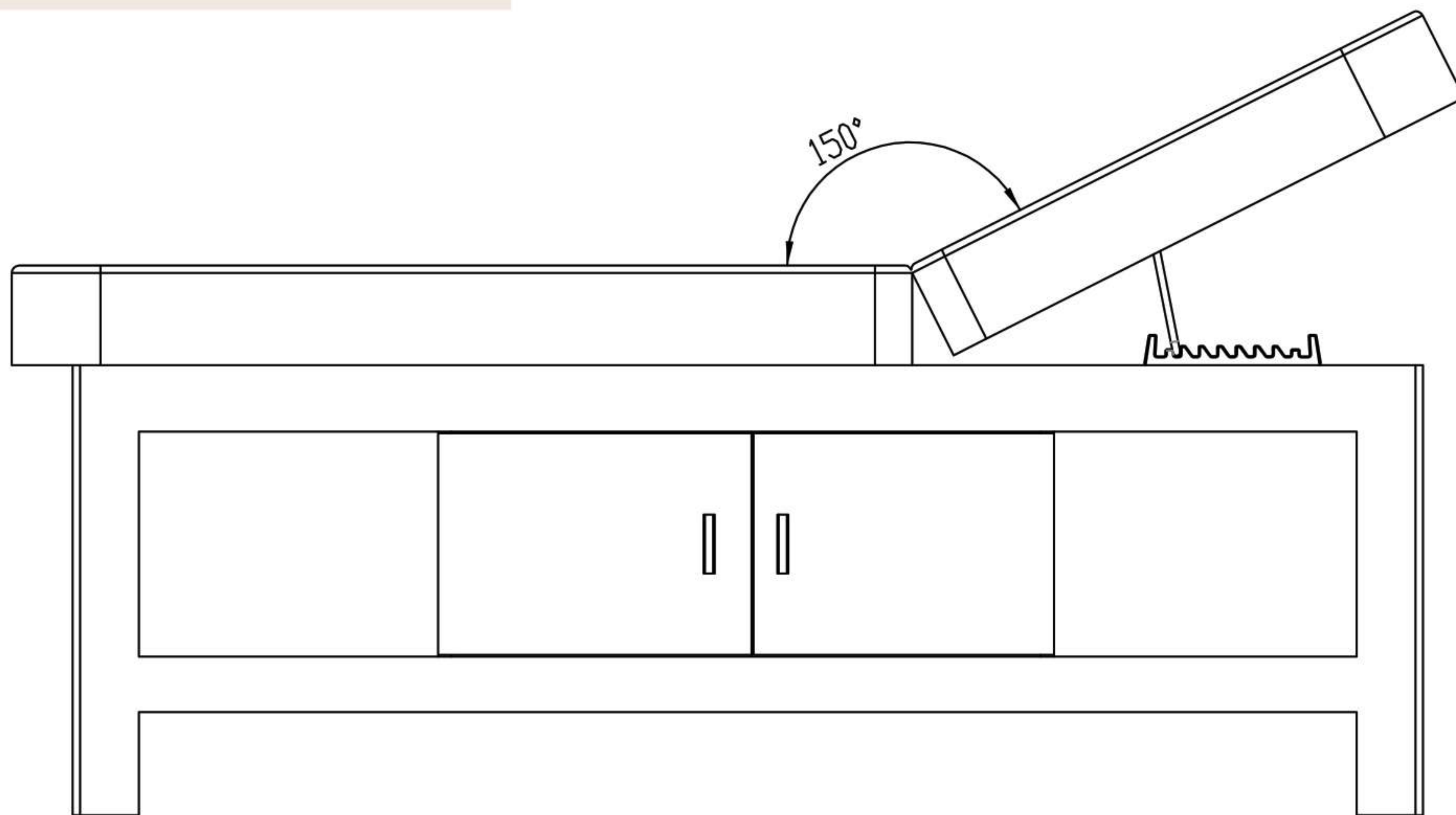
SIDE VIEW



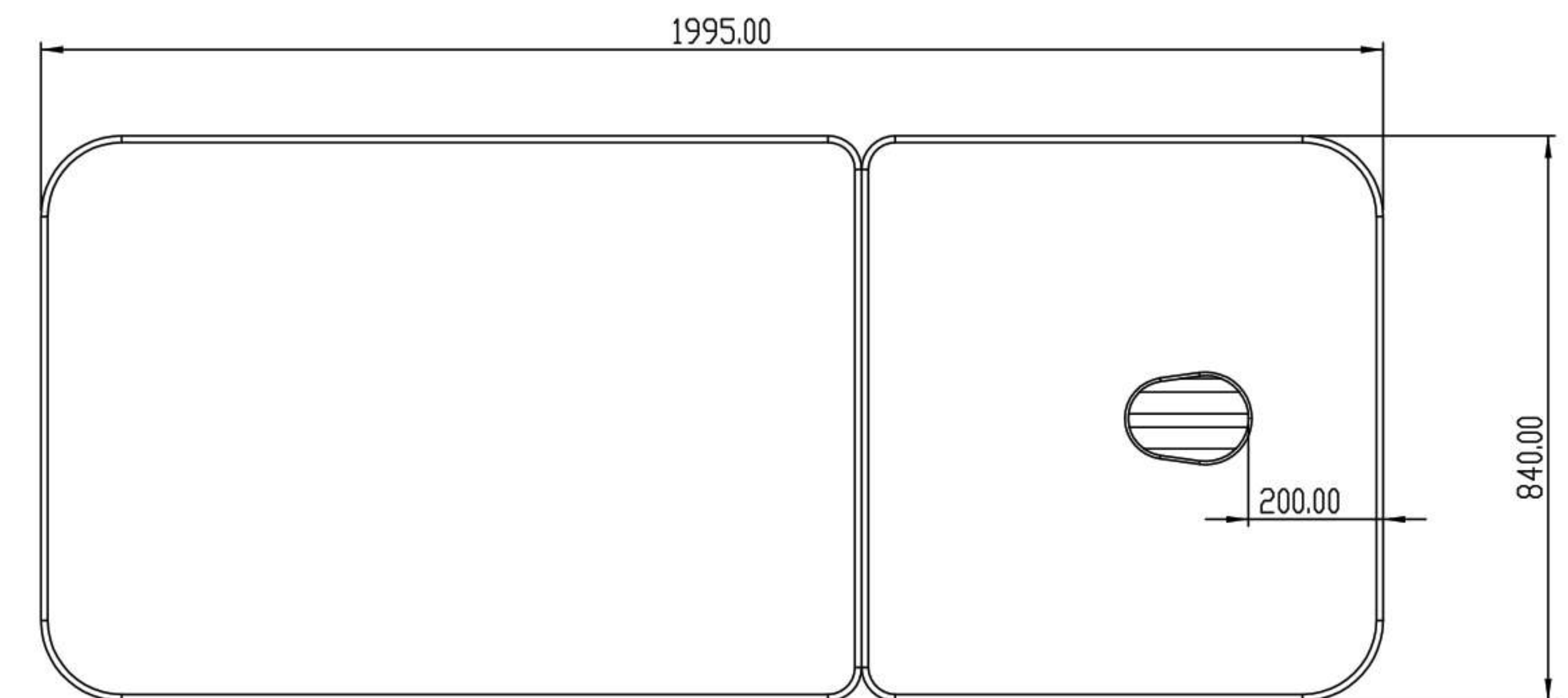
FRONT VIEW



ANGLE VIEW



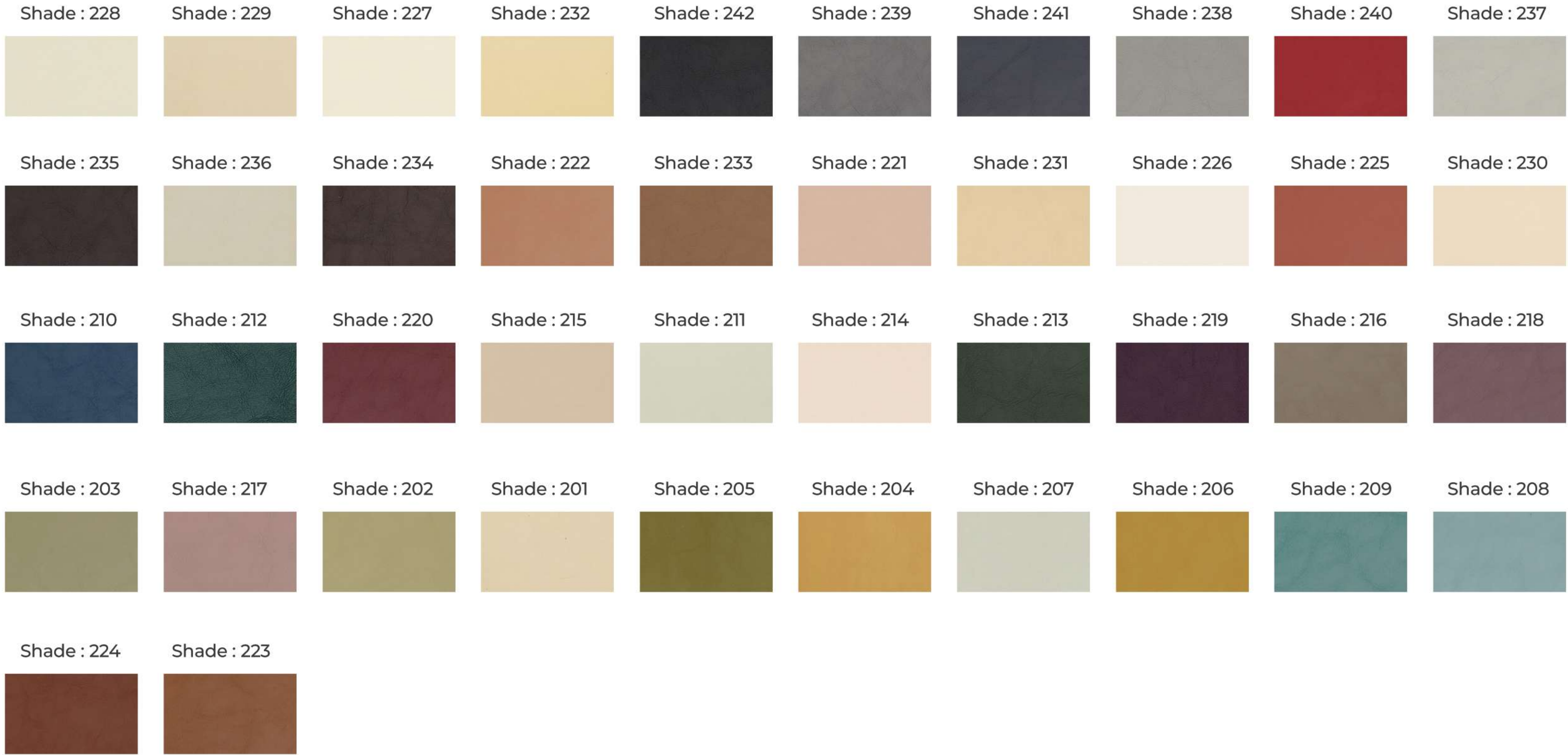
TOP VIEW



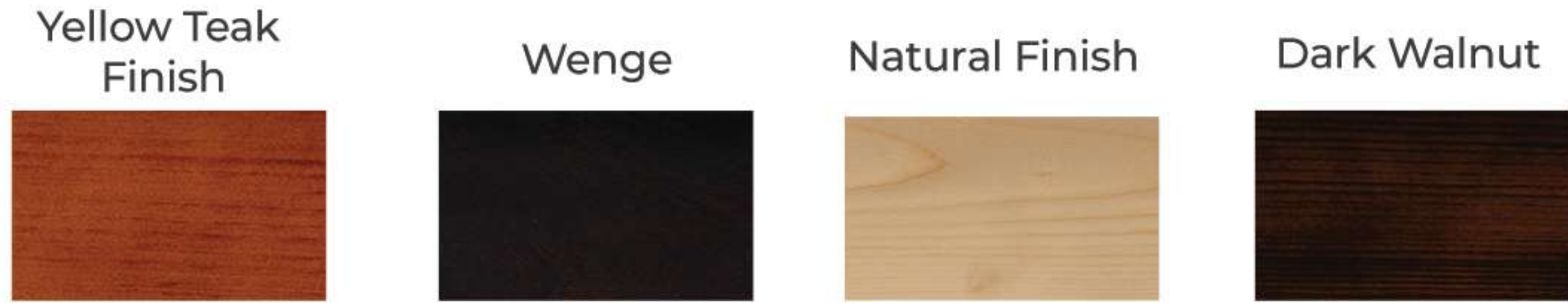
All dimensions are in mm

MAYA MASSAGE BED

Upholstery & Wood Finishes



UPHOLSTERY



WOOD FINISHES