

# NAKUL FOOT REFLEXOLOGY SOFA

Nakul Foot Reflexology Sofa offers a plush, extremely comfortable seating experience during pedicure and foot massage treatments. The backrest on this sofa can be electronically controlled and can be inclined and reclined as per guest comfort.



## DESIGN:

Electronic Foot Reflexology Sofa with 2 Ottoman

## FEATURES:

- Electronically controlled backrest
- Siliconised polyfill and foam cushioning for maximum guest comfort
- Handheld remote to recline or incline the backrest position

## FOAM:

32 Density Soft Foam with Siliconised Polyfill Fiber

## FRAME STRUCTURE:

Powder Coated Mild Steel Frame and Plywood Structure

## ADJUSTMENT ( BACKREST):

Electronically adjusted through 1 x 6000N Actuator

## LIFTING CAPACITY:

150 kgs

## UPHOLSTERY:

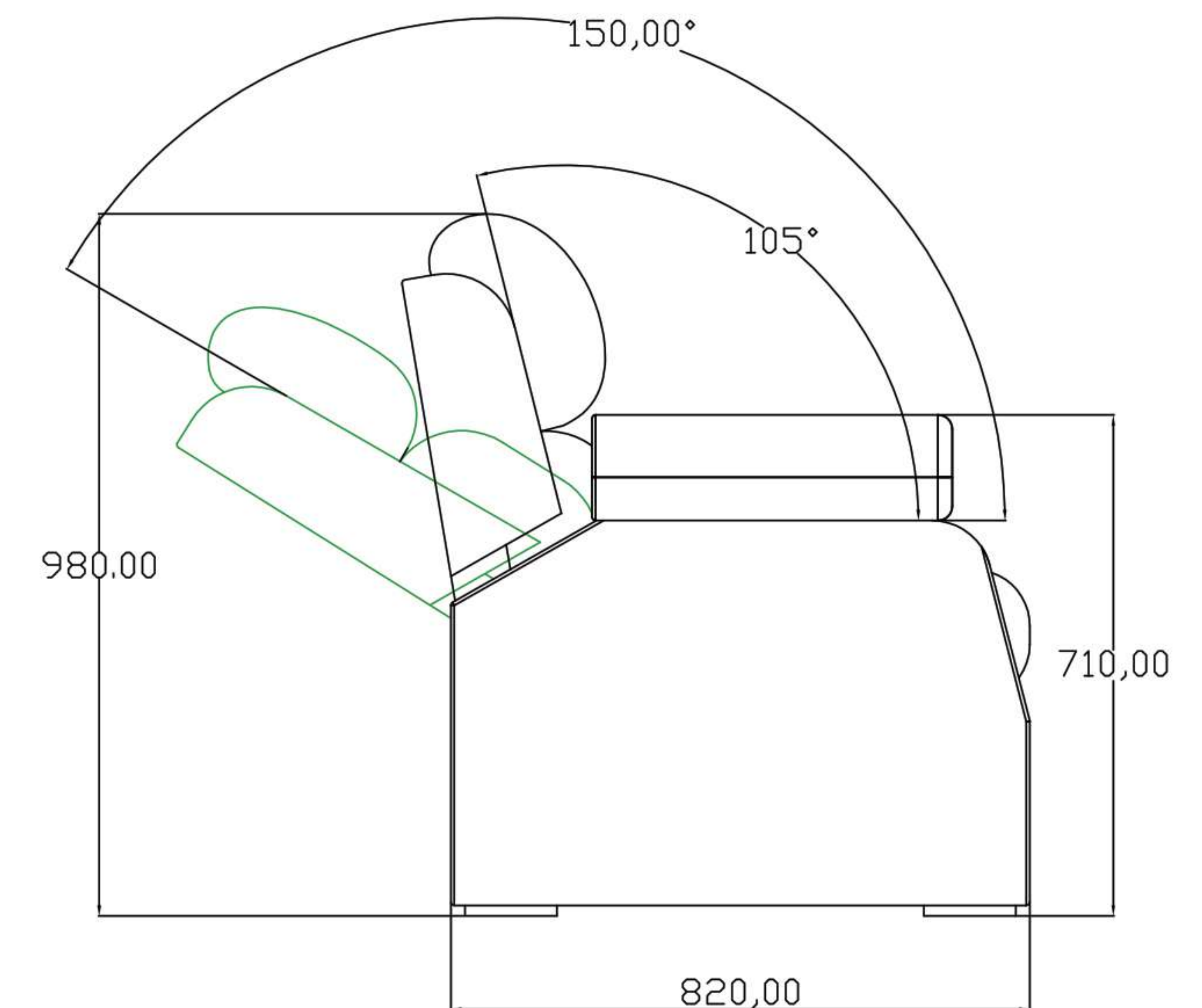
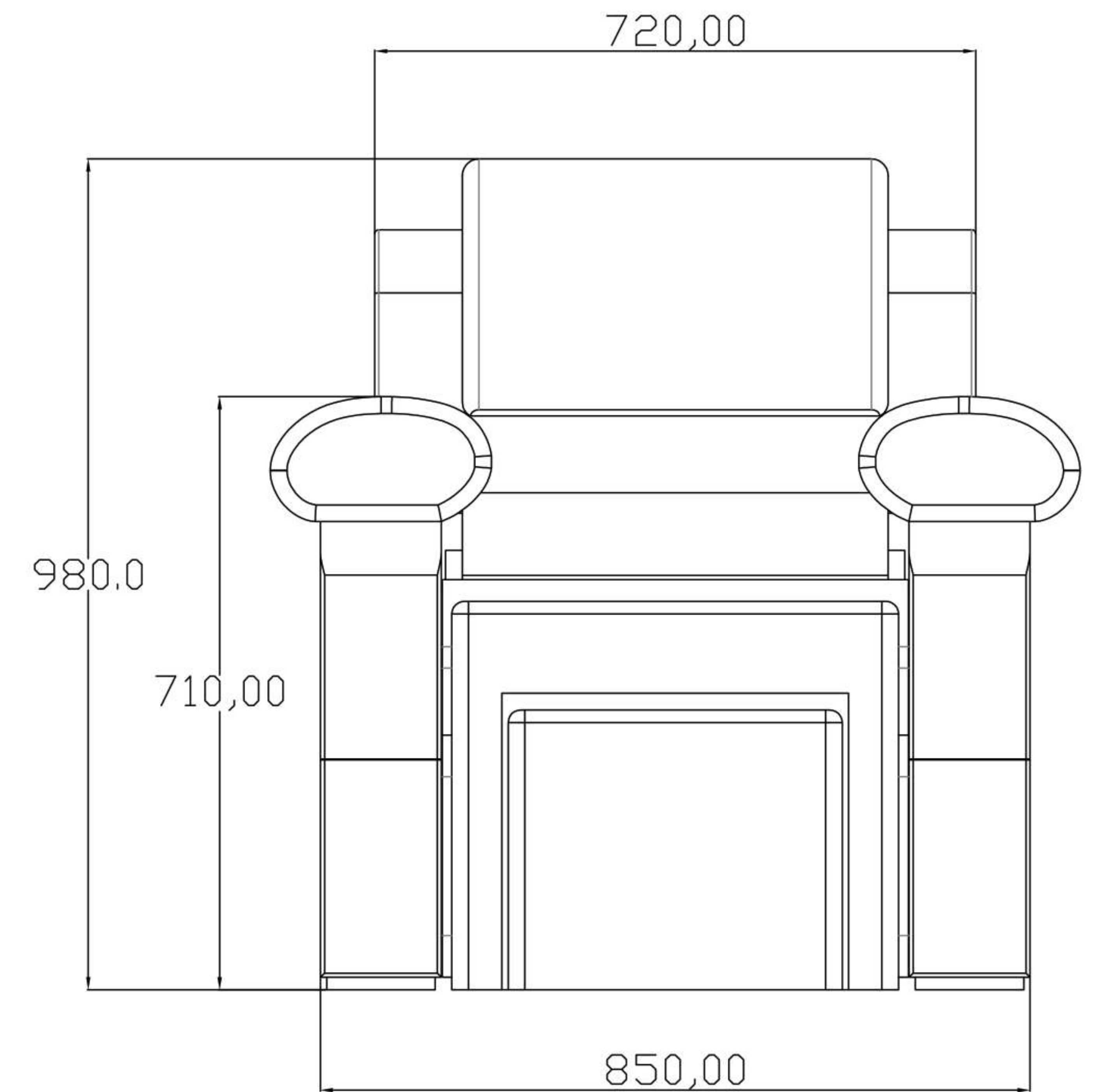
Type	Flame / UV / Abrasion Resistant 1.2 mm PVC Coated Fabric
Colour Options	40 colour options
Weight	660 gsm + 5%
Abrasion	EN ISO 5470=2, 25000 Cycles

## WARRANTY:

Structure	3 years
Electronic motors & control	2 years

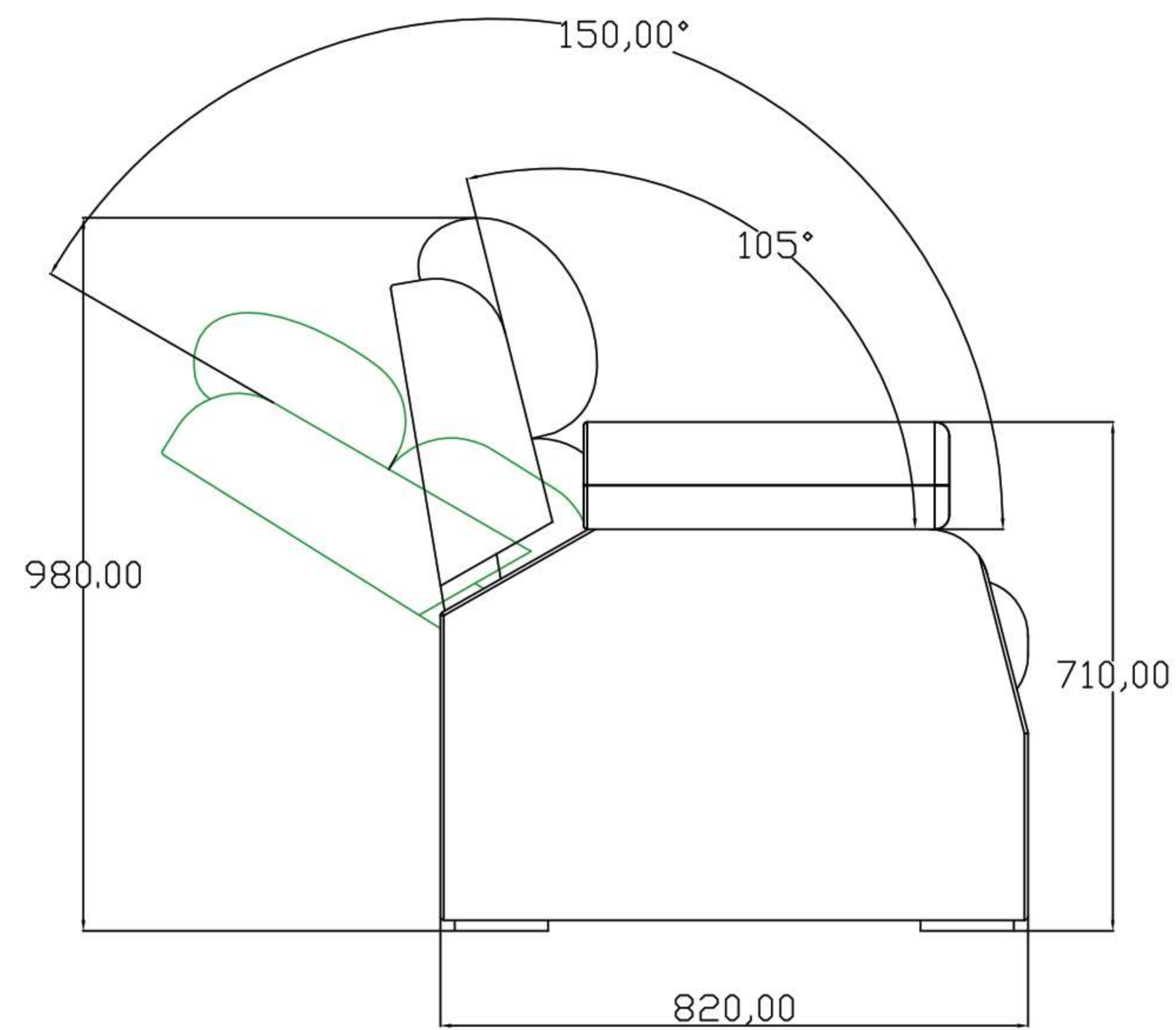
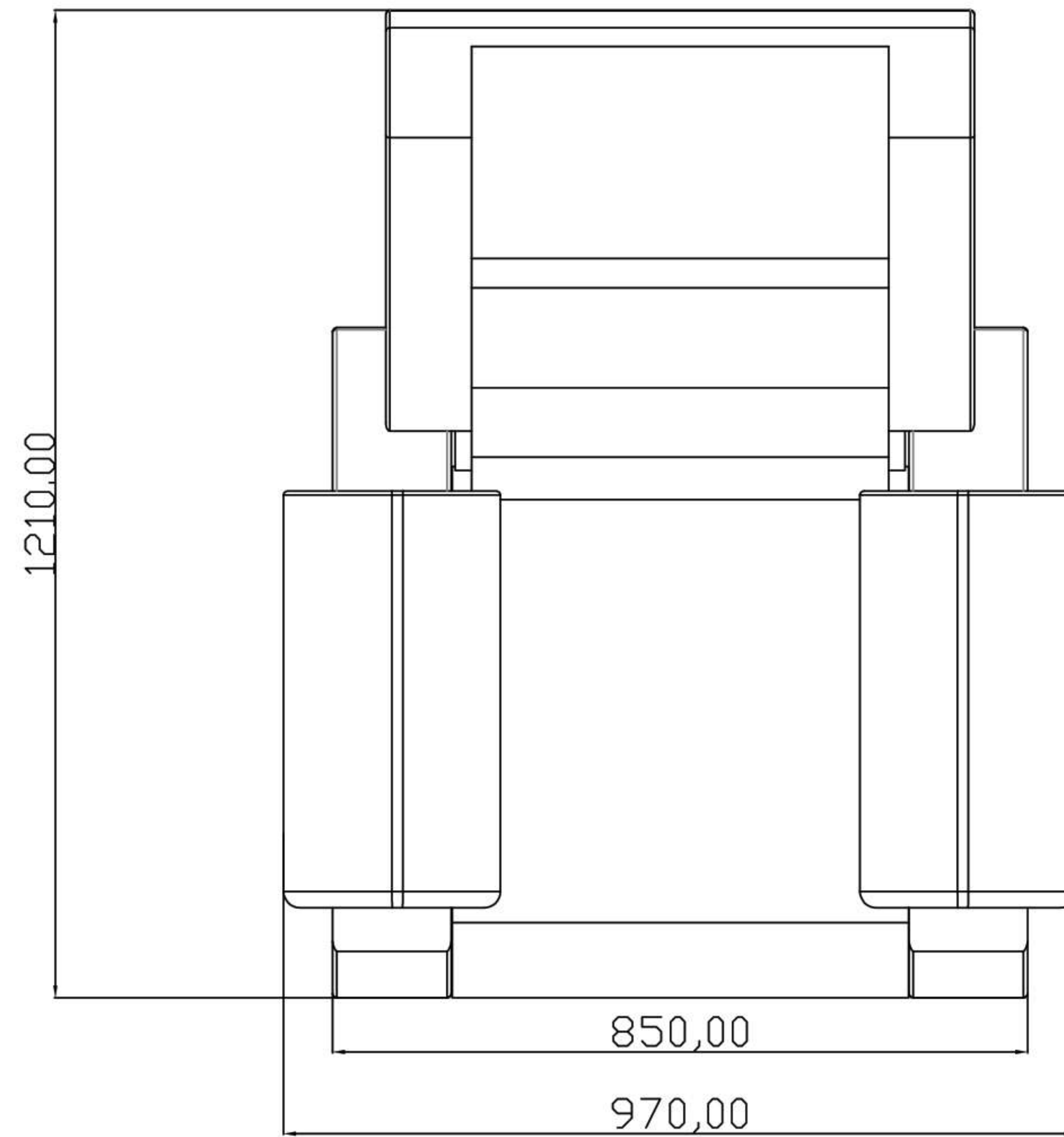
## WEIGHTS:

Net Weight	75 Kgs
Shipping Weight	105 Kgs
Shipping Dimensions	L 100 x W 100 x H 115 cm



All dimensions are in mm

# DIMENSIONS



All dimensions are in mm

# NAKUL FOOT REFLEXOLOGY SOFA

## Upholstery

