

SHIRODHARA MASSAGE BED

Shirodhara Massage Bed is our best-selling model for those looking for a multifunction, modern design table suitable for Ayurvedic Oil Massages and normal dry massages.



TOP DESIGN:

Two piece, detachable top mattress

FOAM:

110 mm mixed layers of different densities for comfortable massage experience

UPHOLSTERY:

PVC Coated Fabric

FRAME STRUCTURE:

Solid wood construction with tenon & mortise Joinery

ADJUSTMENT (HEIGHT):

Manual height adjustment

ADJUSTMENT (BACKREST):

Manual backrest adjustment

ACCESSORIES SUPPLIED:

- 2 x Bolsters
- 2 x Brass Bowls
- 1 x Wooden Step
- 1 x Detachable Service Tray
- 1 x Detachable Drawer cabinet
- 1 x Backrest Incline Support
- 1 x Wooden Face Cradle

LOAD BEARING CAPACITY:

250 kgs

UPHOLSTERY:

Type	Flame / UV / Abrasion Resistant 1.2 mm Coated Fabric
Color Options	40 Colour Options
Weight	660 gsm + 5%
Abrasion	EN ISO 5470=2, 25000 cycles

WOOD FINISH:

Dark Walnut, Yellow Teak and Wenge Colour

WARRANTY:

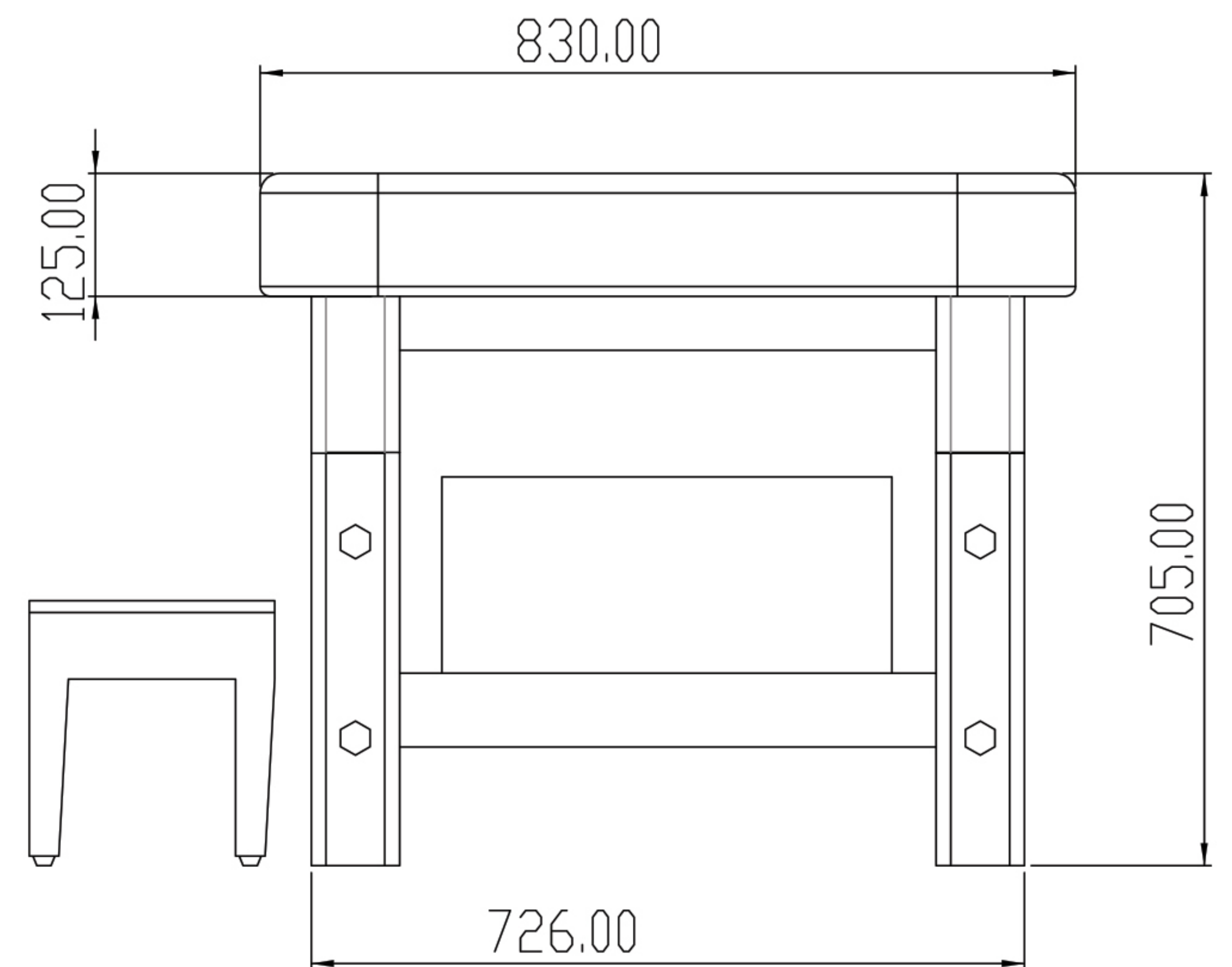
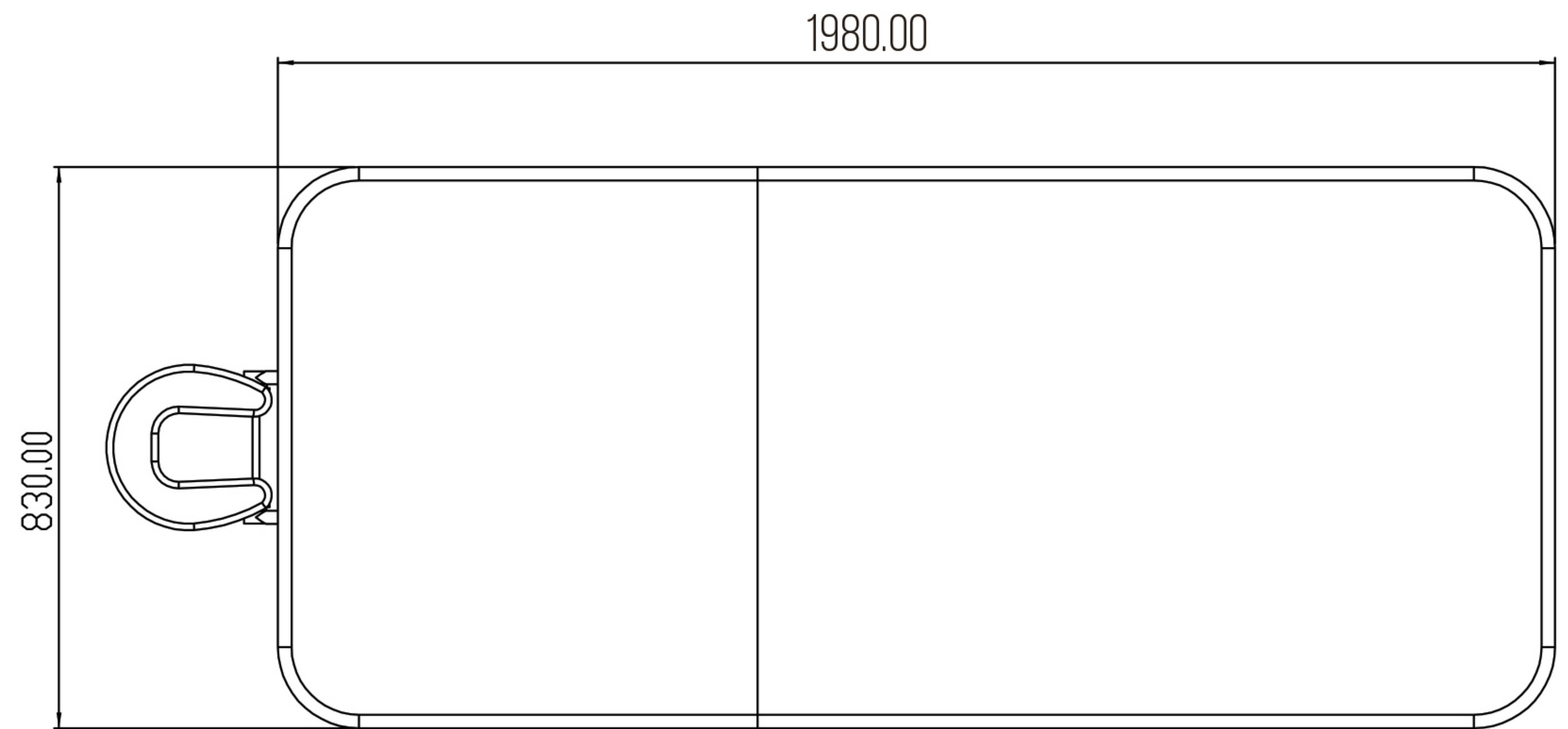
Structure	5 years
Upholstery	1 year

WEIGHTS:

Table Weight	95 kgs
Shipping weight	147 kgs
Shipping Dimensions	208 x 90 x 87 cms

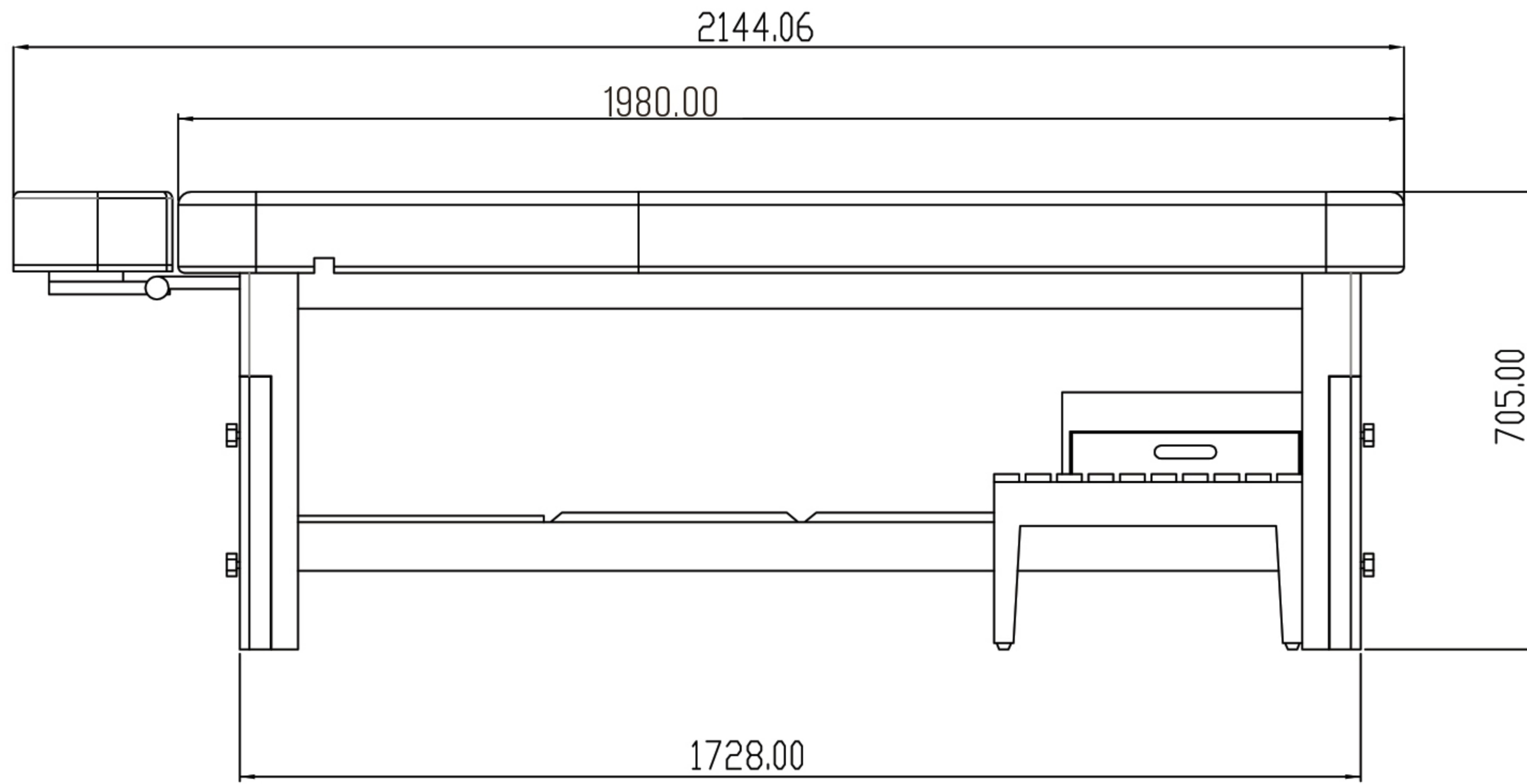
OPTIONAL :

Head Support to perform Shirodhara Treatments

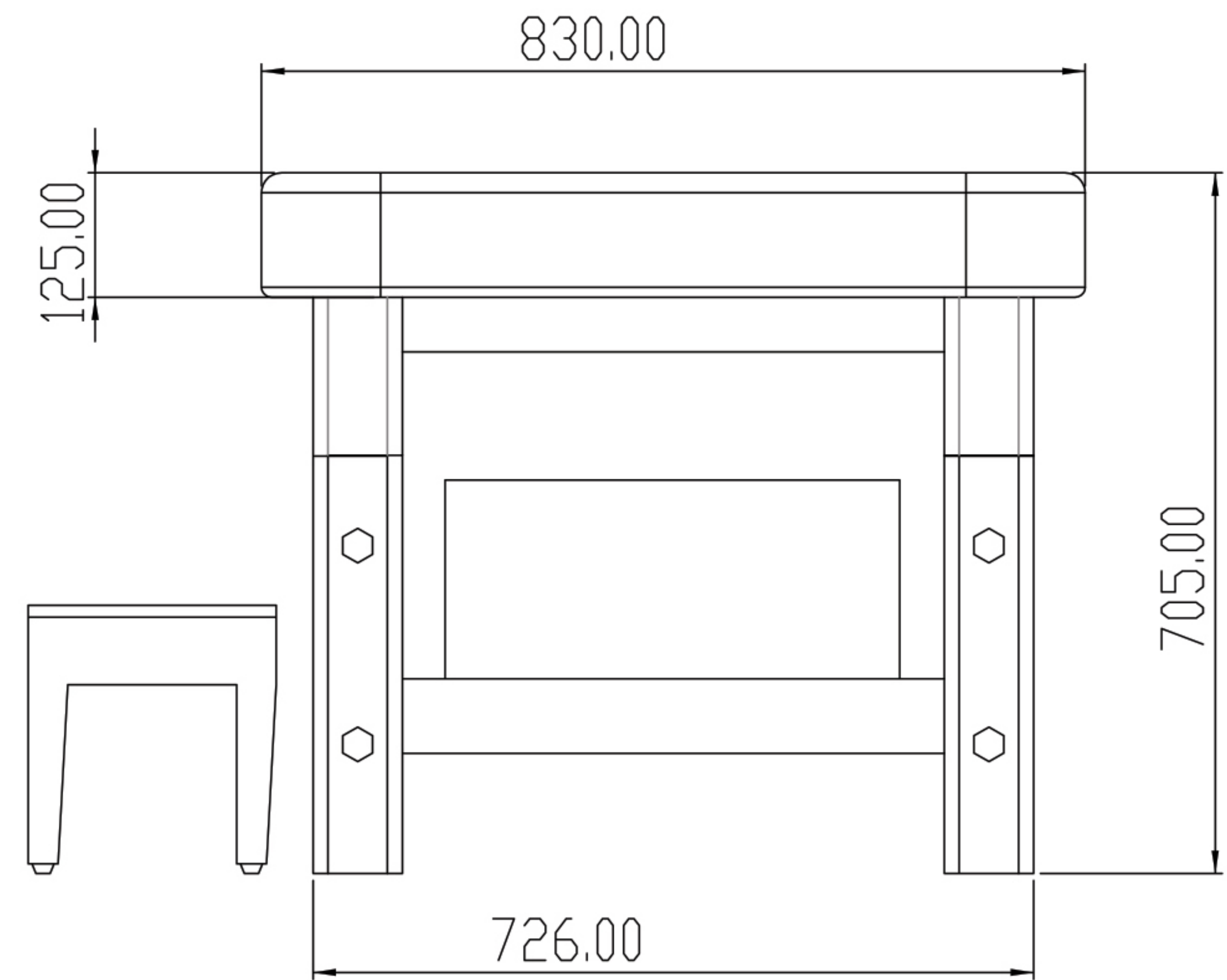


All dimensions are in mm

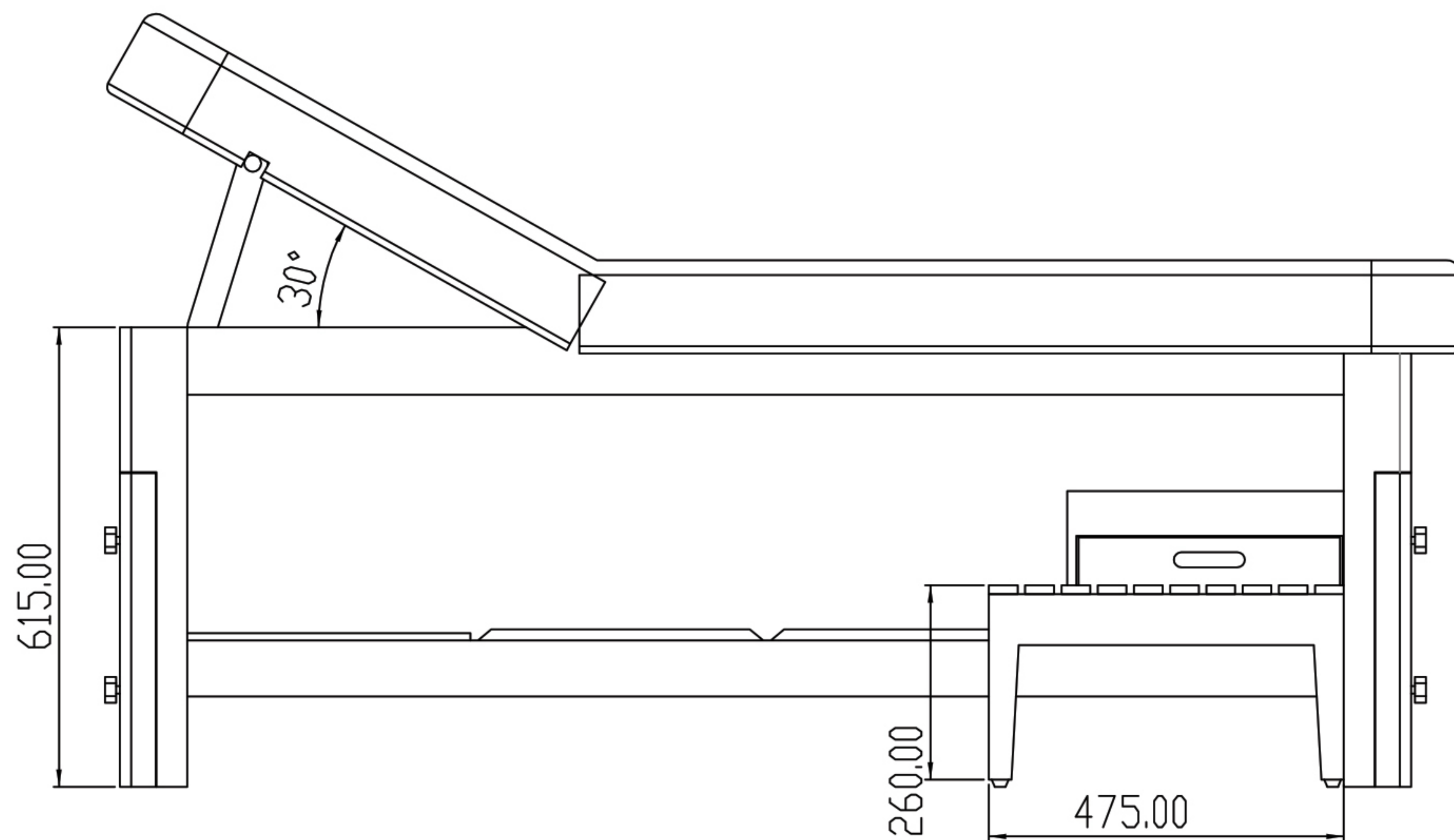
SIDE VIEW



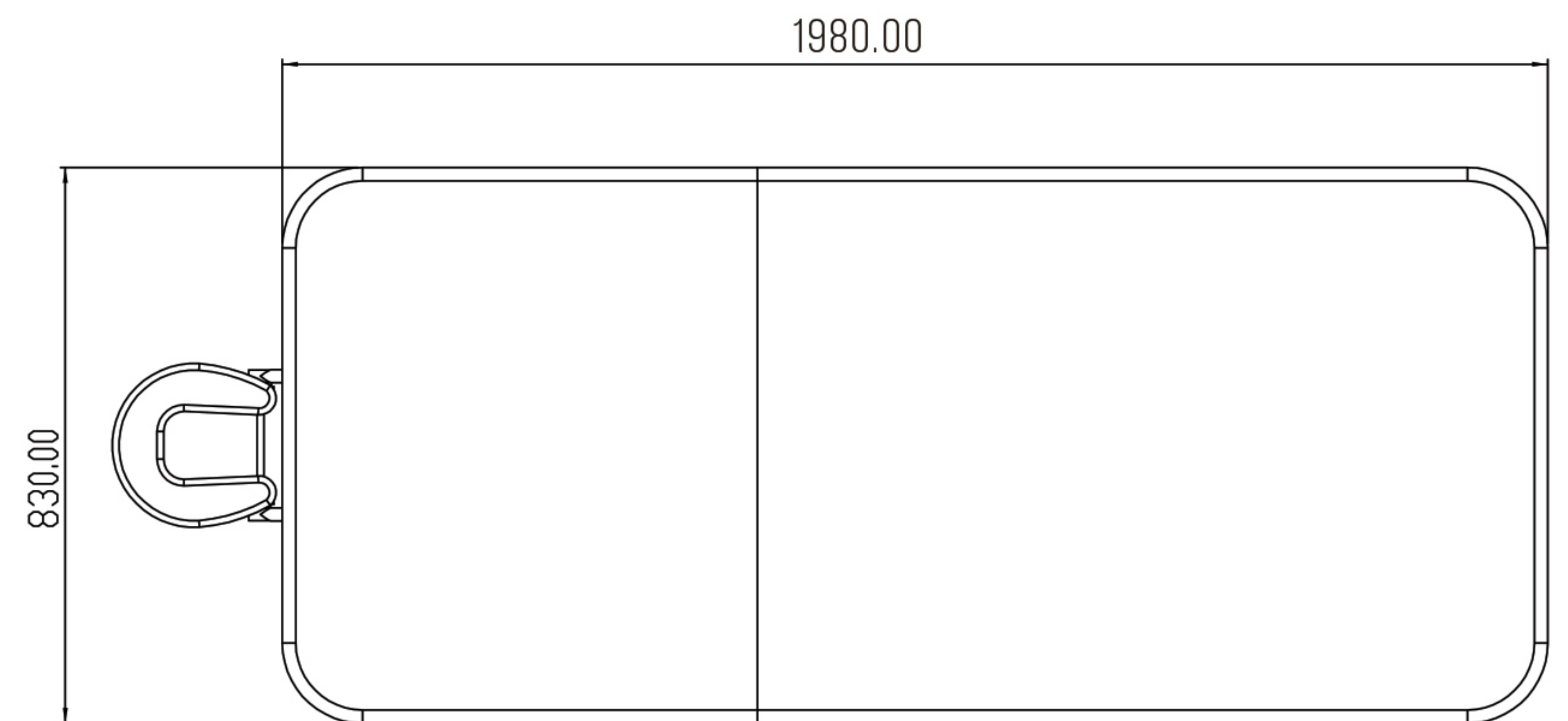
FRONT VIEW



ANGLE VIEW



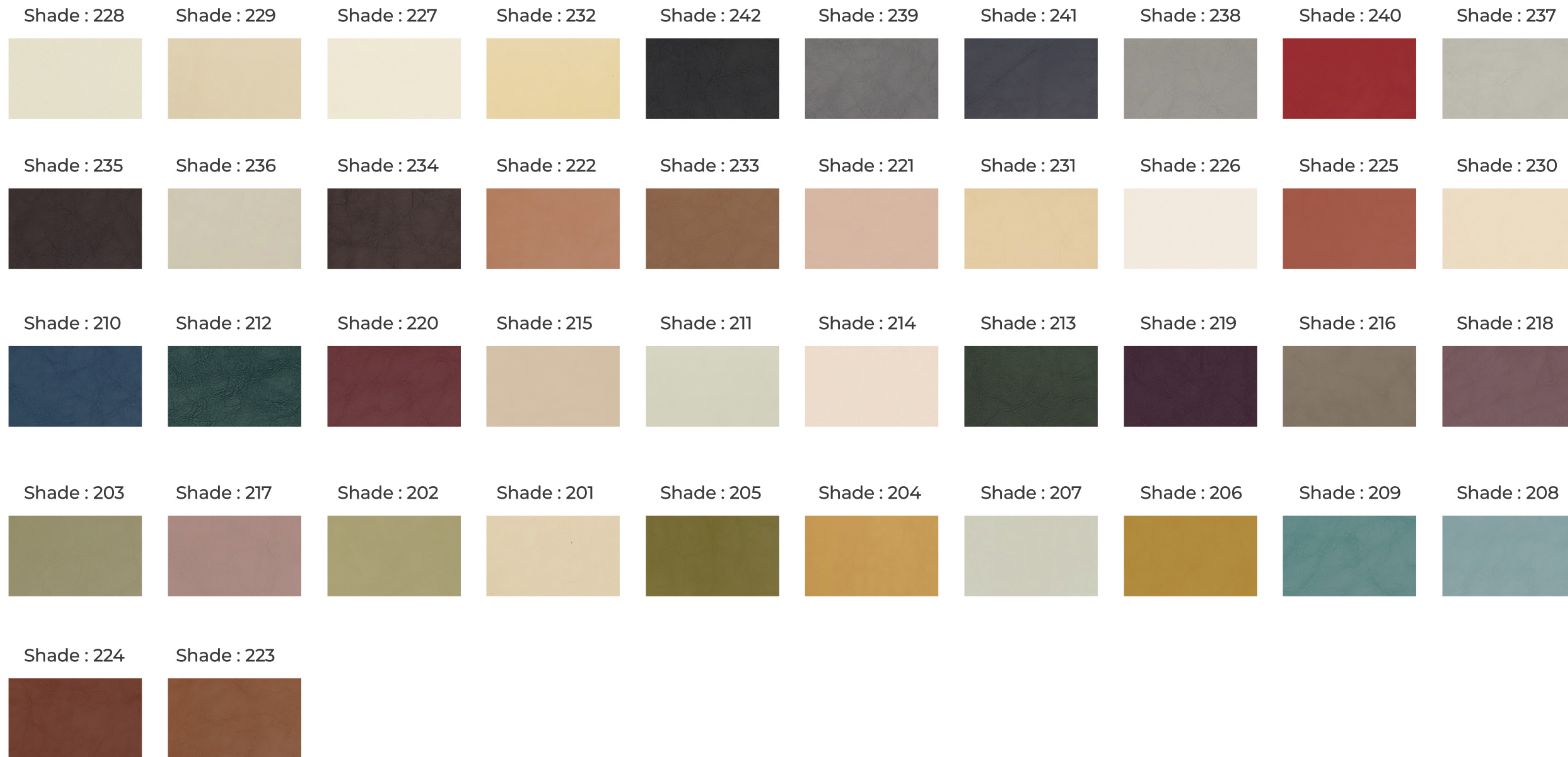
TOP VIEW



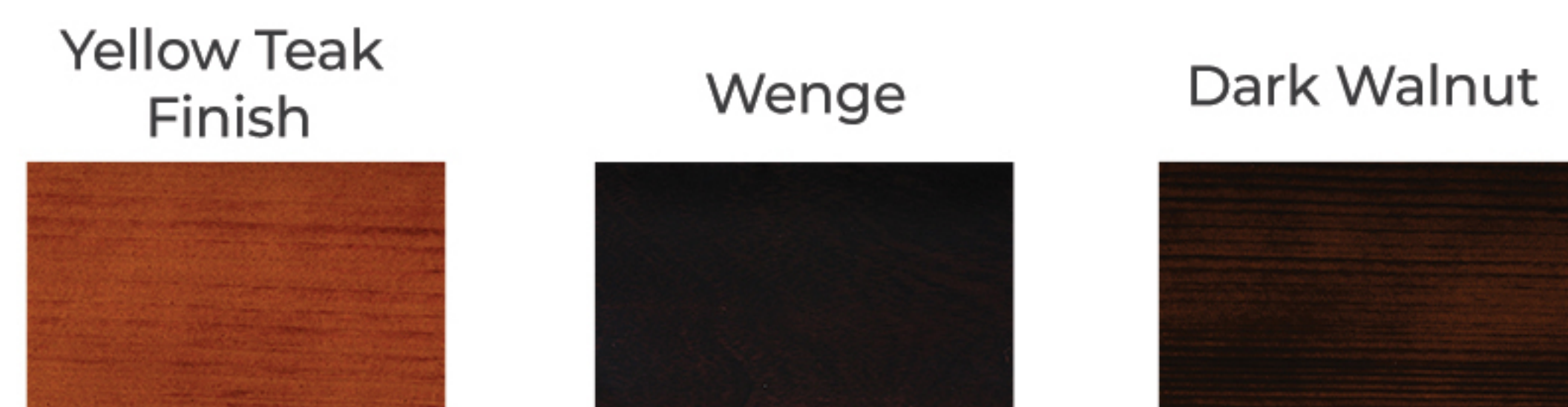
All dimensions are in mm

SHIRODHARA MASSAGE BED

Upholstery & Wood Finishes



UPHOLSTERY



WOOD FINISHES