

MANI PEDI CHAIR

Mani-Pedi Chair offers you the flexibility of doing spa pedicures and manicure treatments without any plumbing connection. This no-plumbing manicure pedicure chair is best suited for those spas and wellness centres that do not have plumbing connections and yet want to offer pedicure and manicure service to their guests.



DESIGN:

NO PLUMBING PEDICURE CHAIR

FEATURES:

- Easy to fold and unfold wooden armrest for manicure treatments
- Solid Surface Top, precision cut on a CNC machine
- Inclined foot rest for guest's comfort made from corrosion resistant SS 304 grade steel

FOAM:

Multiple density foam cushion (Combination 40 Density and 32 Density Soft Foam Cushion)

FRAME STRUCTURE:

Natural Wood Veneer and Powder Coated Mild Steel Frame

ADJUSTMENT (BACKREST):

Lockable gas spring assisted backrest adjustment

LOAD CAPACITY OF GAS SPRING:

150 kgs

UPHOLSTERY:

Type	Flame / UV / Abrasion Resistant 1.2 mm PVC Coated Fabric
Colour Options	40 colour options
Weight	660 gsm + 5%
Abrasion	EN ISO 5470=2, 25000 Cycles

WOOD FINISH:

Natural American White Oak PU, Natural American White Oak Water Base, Dark Walnut, Yellow Teak, Wenge, Open Pour White Finish (RAL 9010), Open Pour Black.

WARRANTY:

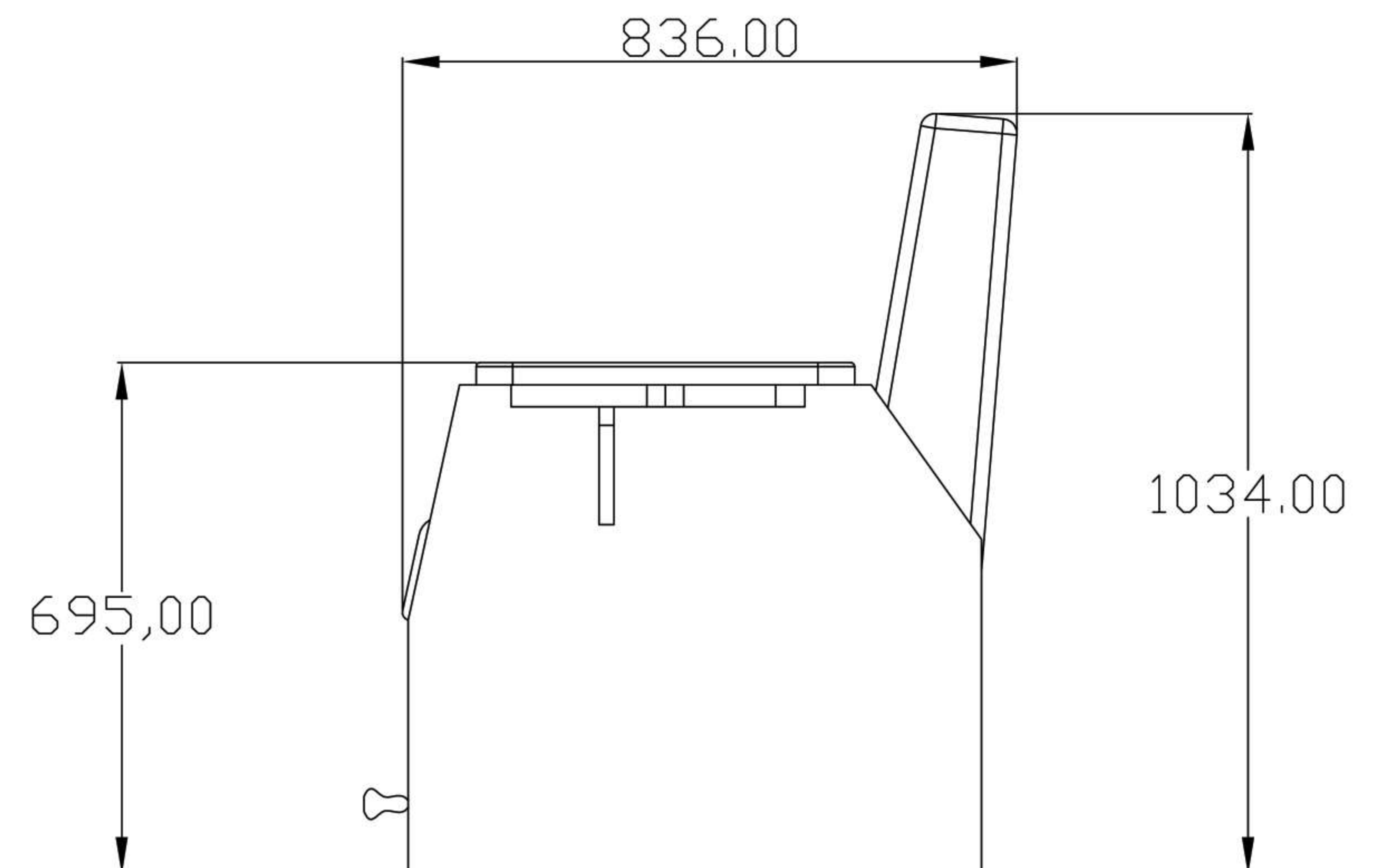
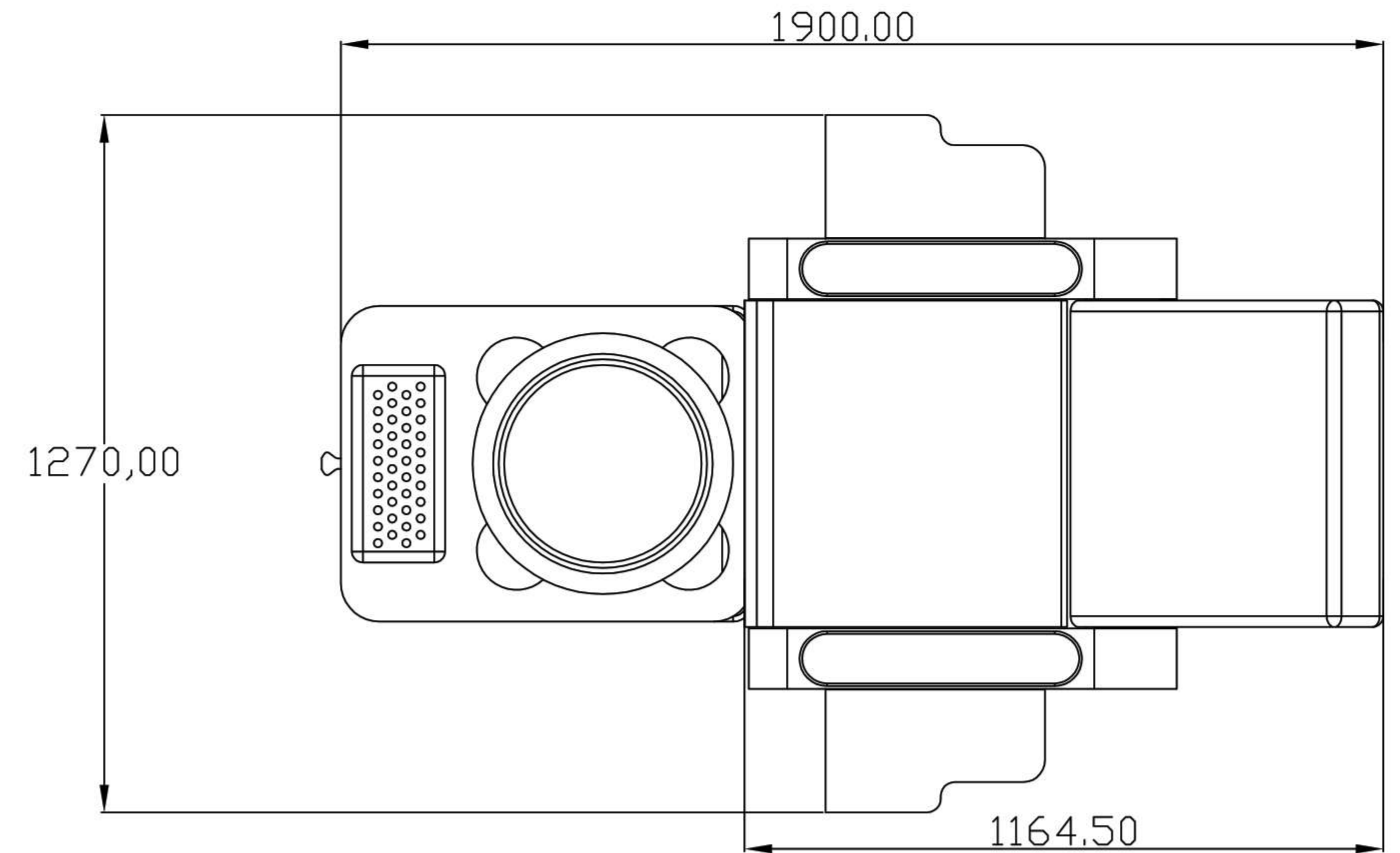
Structure	3 years
-----------	---------

WEIGHTS:

Net Weight	90 Kgs
Shipping Weight	135 Kgs
Shipping Dimensions	Chair L 96 x W 87 x H 119 cm and Foot Basin L 87 x W 69 x H 46 cm

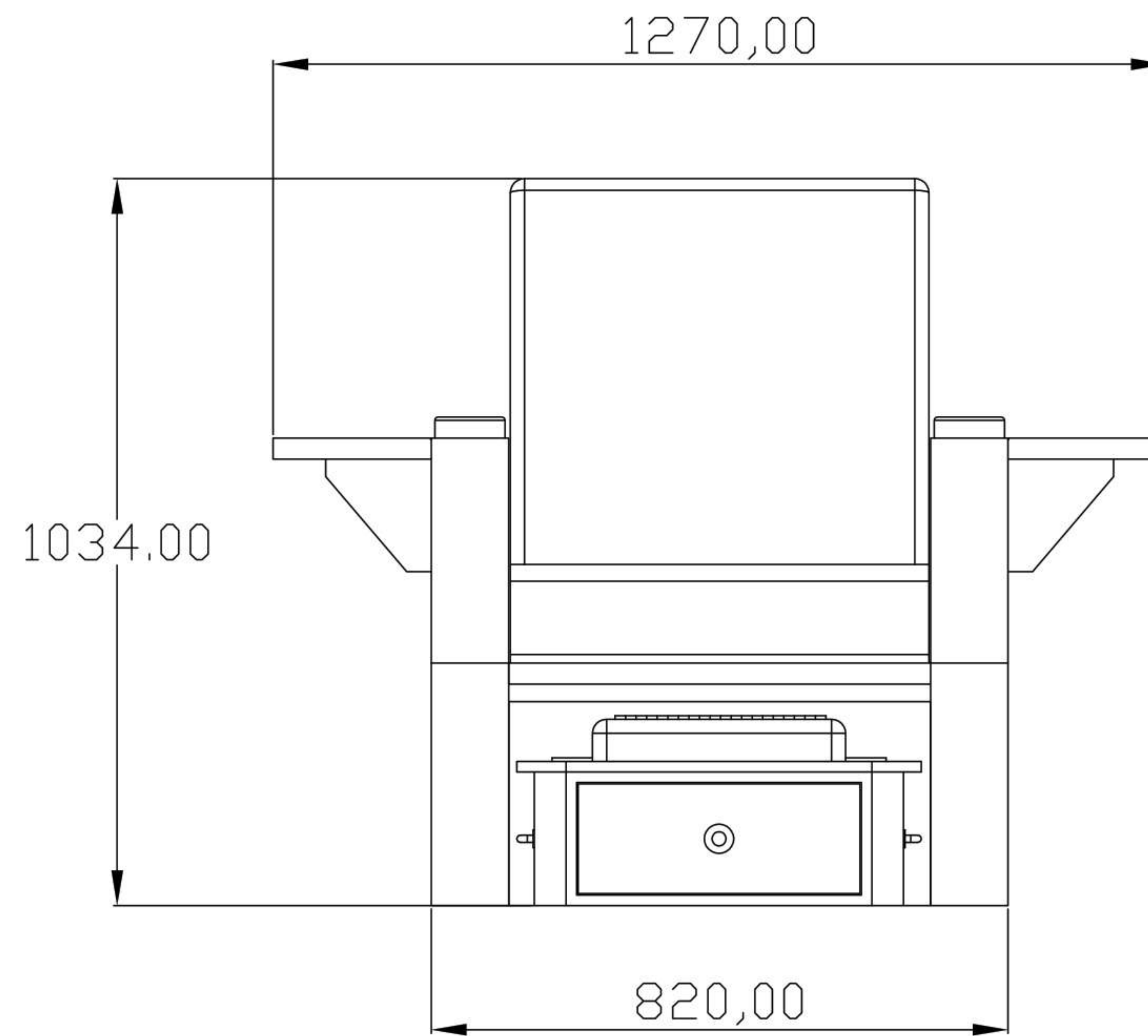
OPTIONAL:

Copper, Stainless Steel, Antique Brass or Antique Bronze Finish Brass Sink

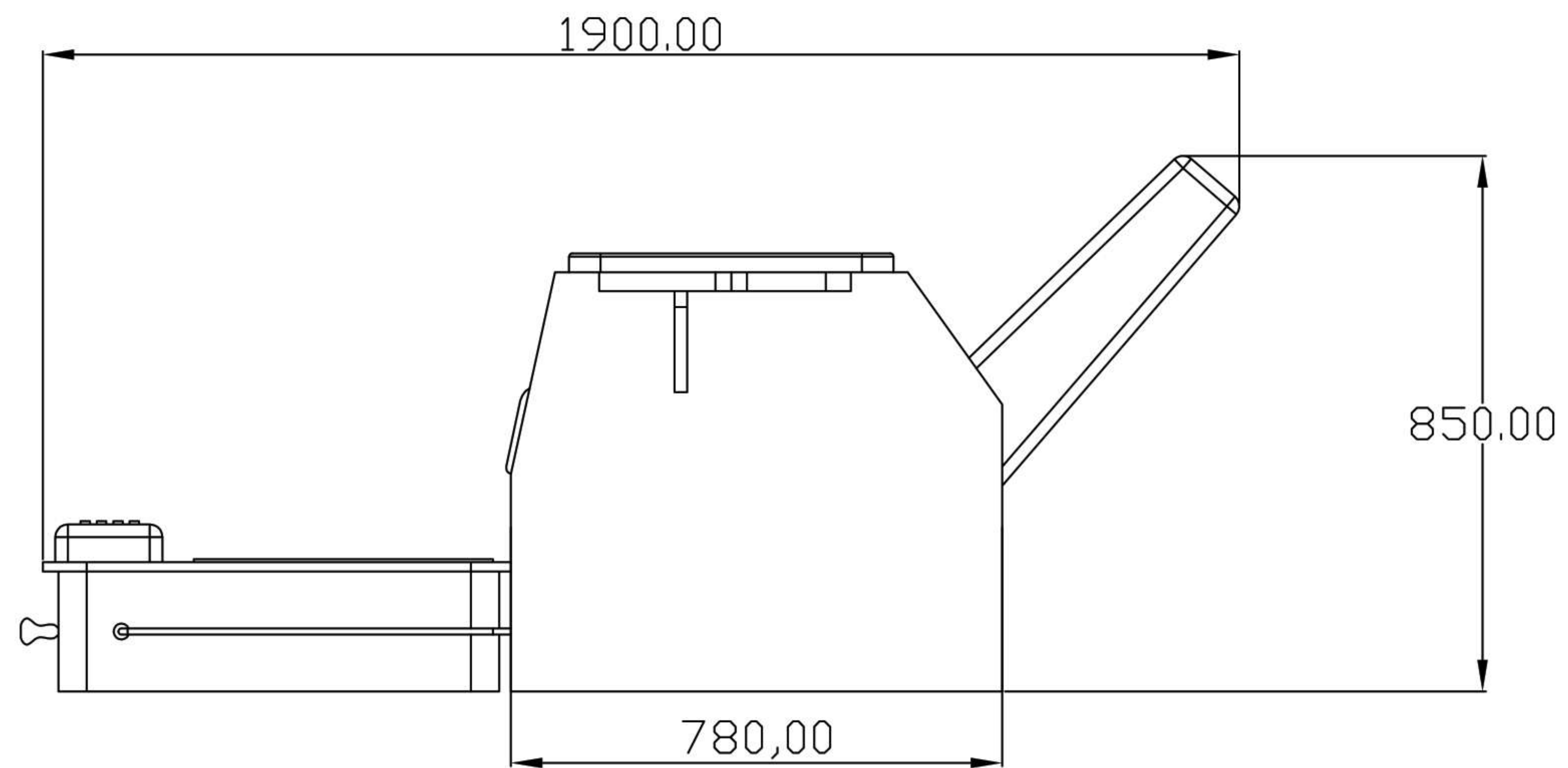


All dimensions are in mm

MAXIMUM HEIGHT



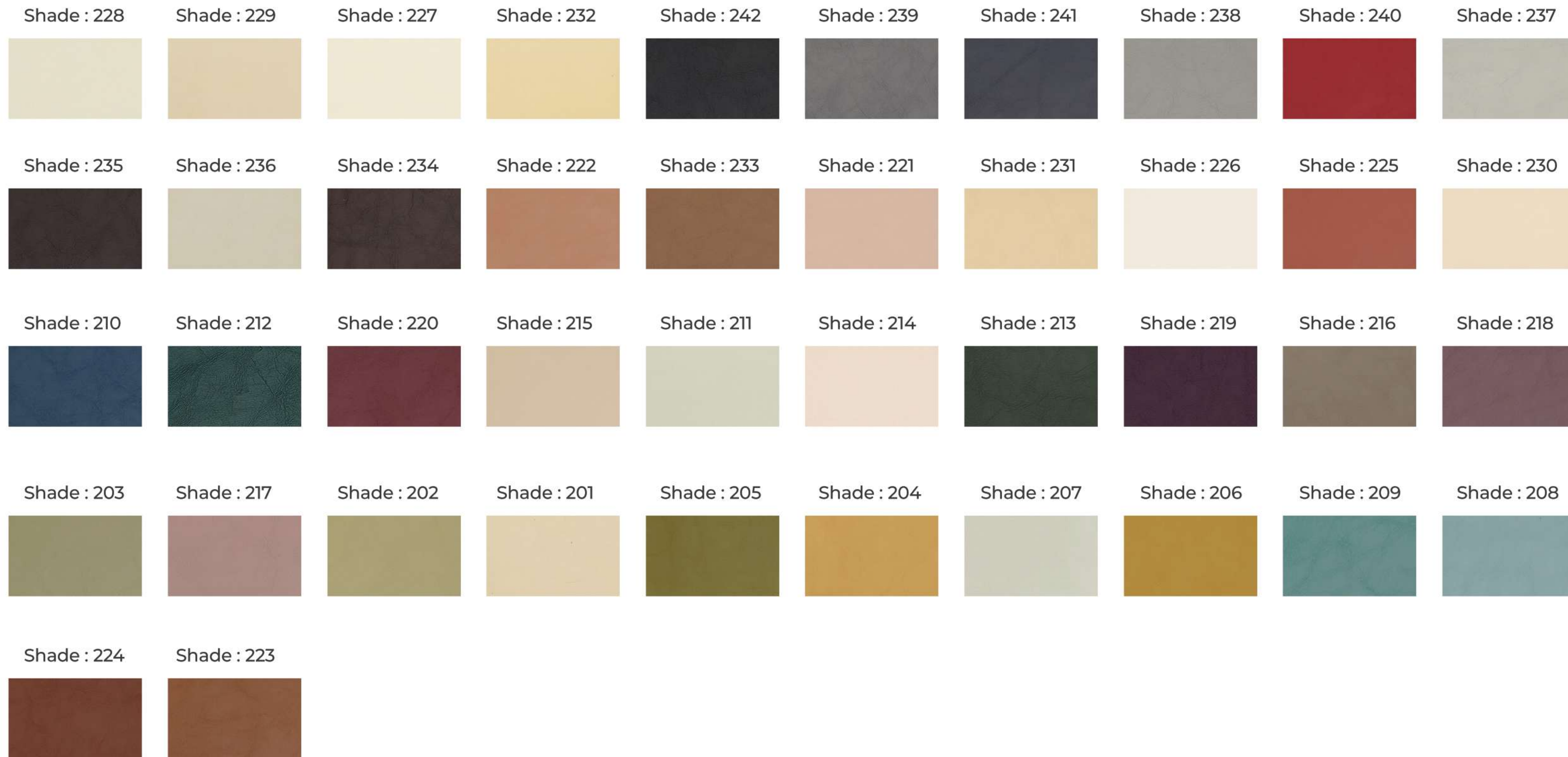
MINIMUM HEIGHT



All dimensions are in mm

MANI PEDI CHAIR

Upholstery & Wood Finishes



UPHOLSTERY



WOOD FINISHES