

# RAMAN

Raman is our single motor, economically priced spa treatment table. Designed with a single motor to get a synchronised backrest and leg rest adjustment for comfortable spa massage experience. The armrests can be lowered and locked at various position through gas springs fitted in the armrests.



**TOP:**

Top Design  
 Foam  
 Frame Structure  
 Adjustment (Back Rest  
 Leg Rest)  
 Adjustment (Arm Rest)

Single piece fully electronic top cushion and nose slot with removable plug  
 160 mm mixed layers of different densities for comfortable massage experience  
 Natural Wood, Natural Wood Veneer and Powder Coated Mild Steel Frame  
 Synchronised electronic adjustment through 1 x 6000N Actuator  
 Gas spring assisted lowerable armrest for comfortable massage position

**UPHOLSTERY:**

Type  
 Colour Options  
 Weight  
 Abrasion

Flame / UV / Abrasion Resistant 1.2 mm PVC Coated Fabric  
 40 colour options  
 660 gsm + 5%  
 EN ISO 5470=2, 25000 cycles

**WOOD FINISH:**

Natural American White Oak PU, Natural American White Oak Water Base,  
 Dark Walnut, Yellow Teak, Wenge, Open Pour White Finish (RAL 9010),  
 Open Pour Black

**WARRANTY:**

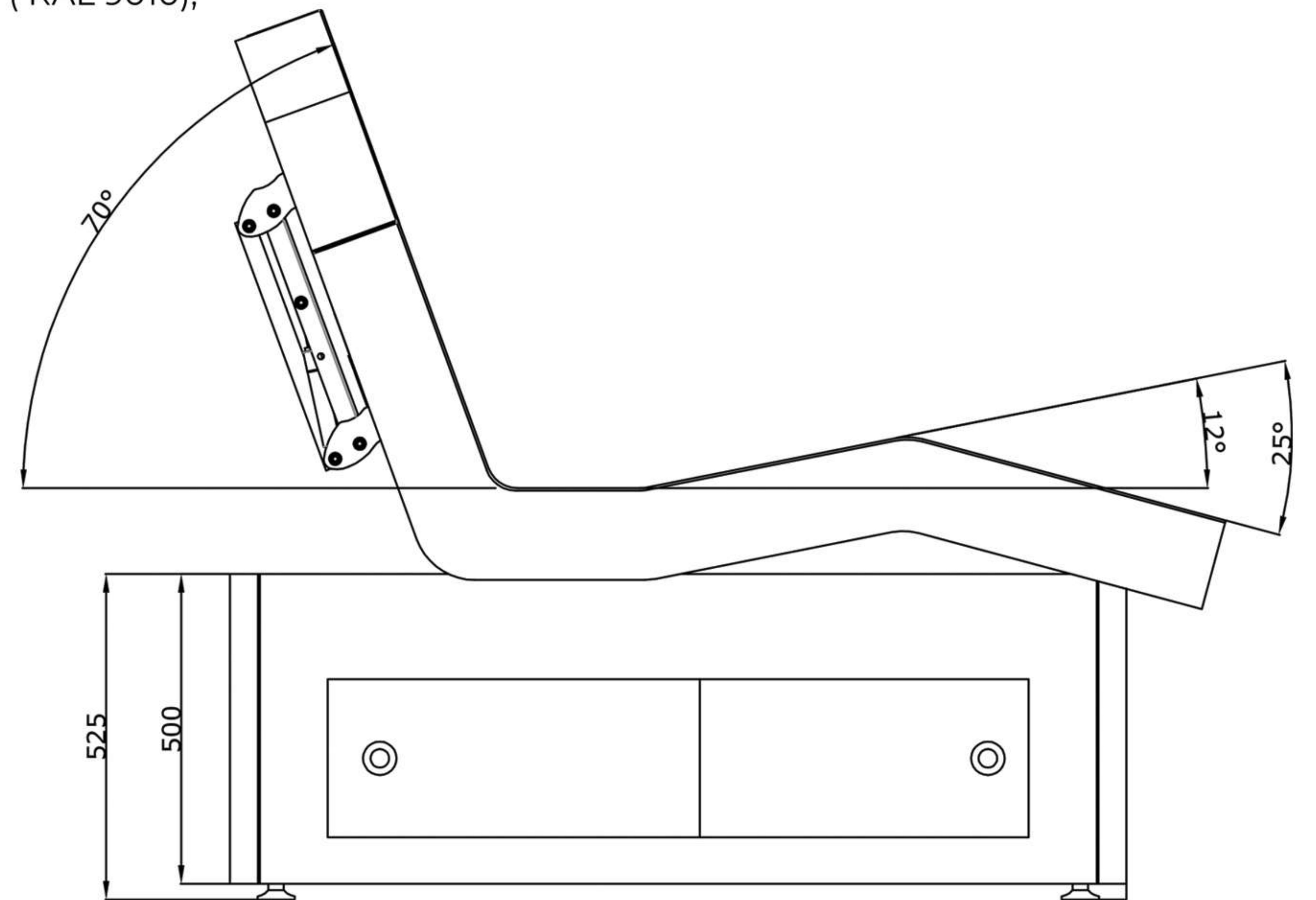
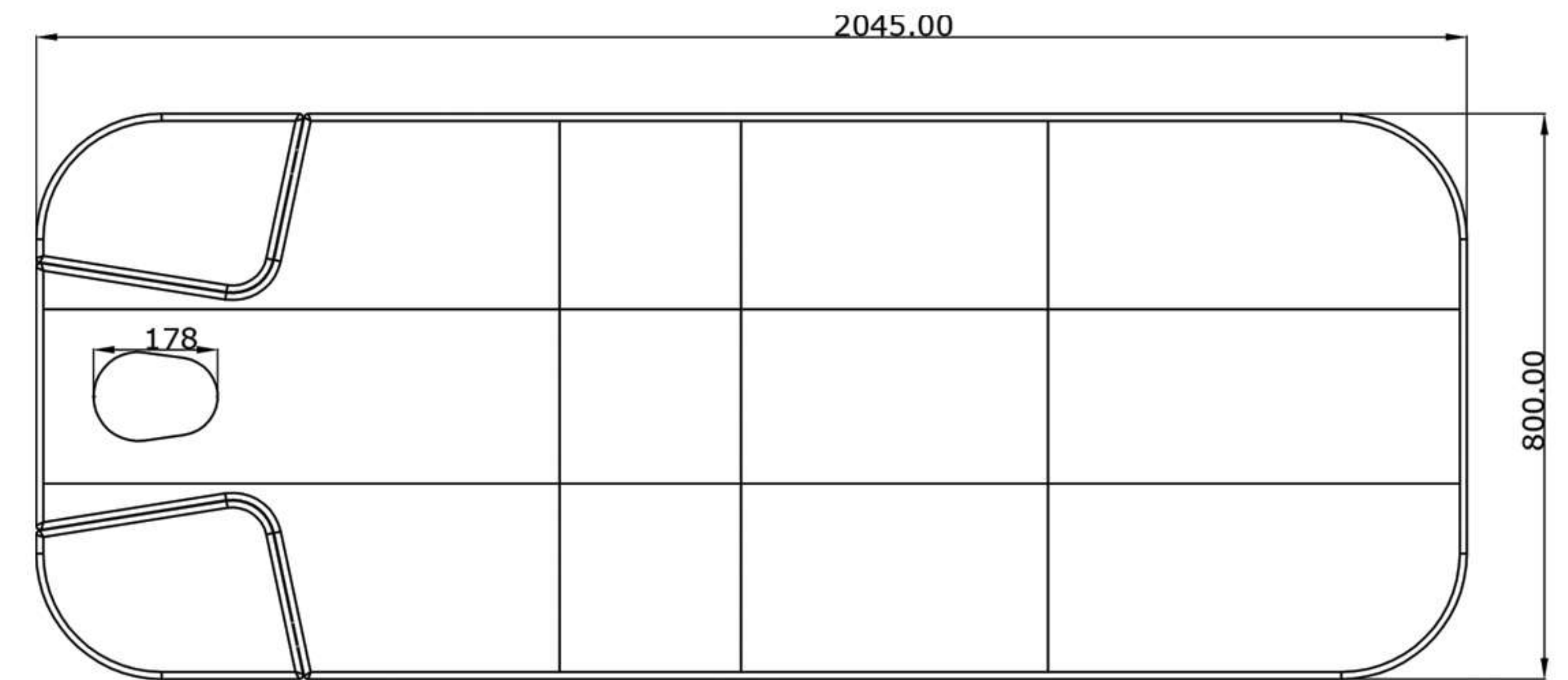
Structure  
 Electronic Motors & Controls

1 year  
 2 years

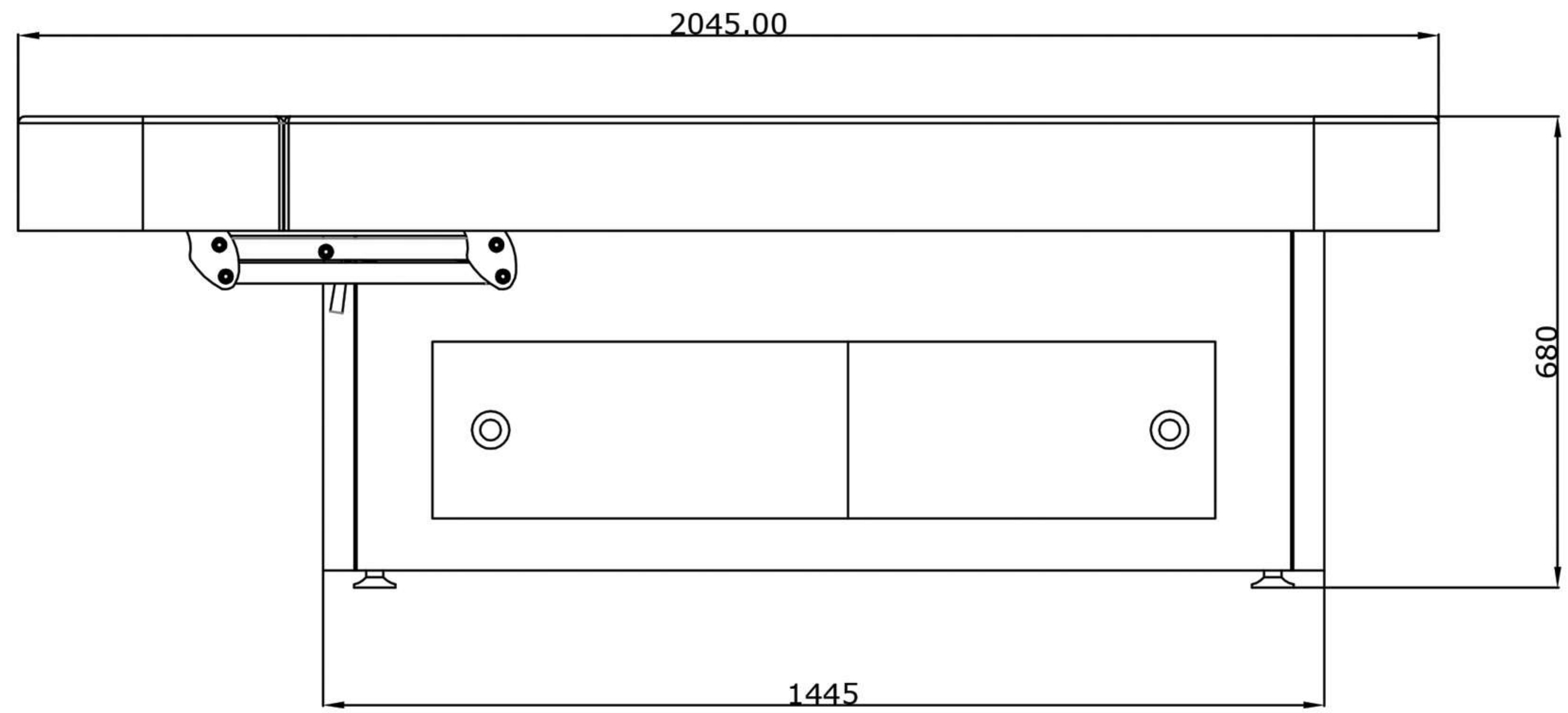
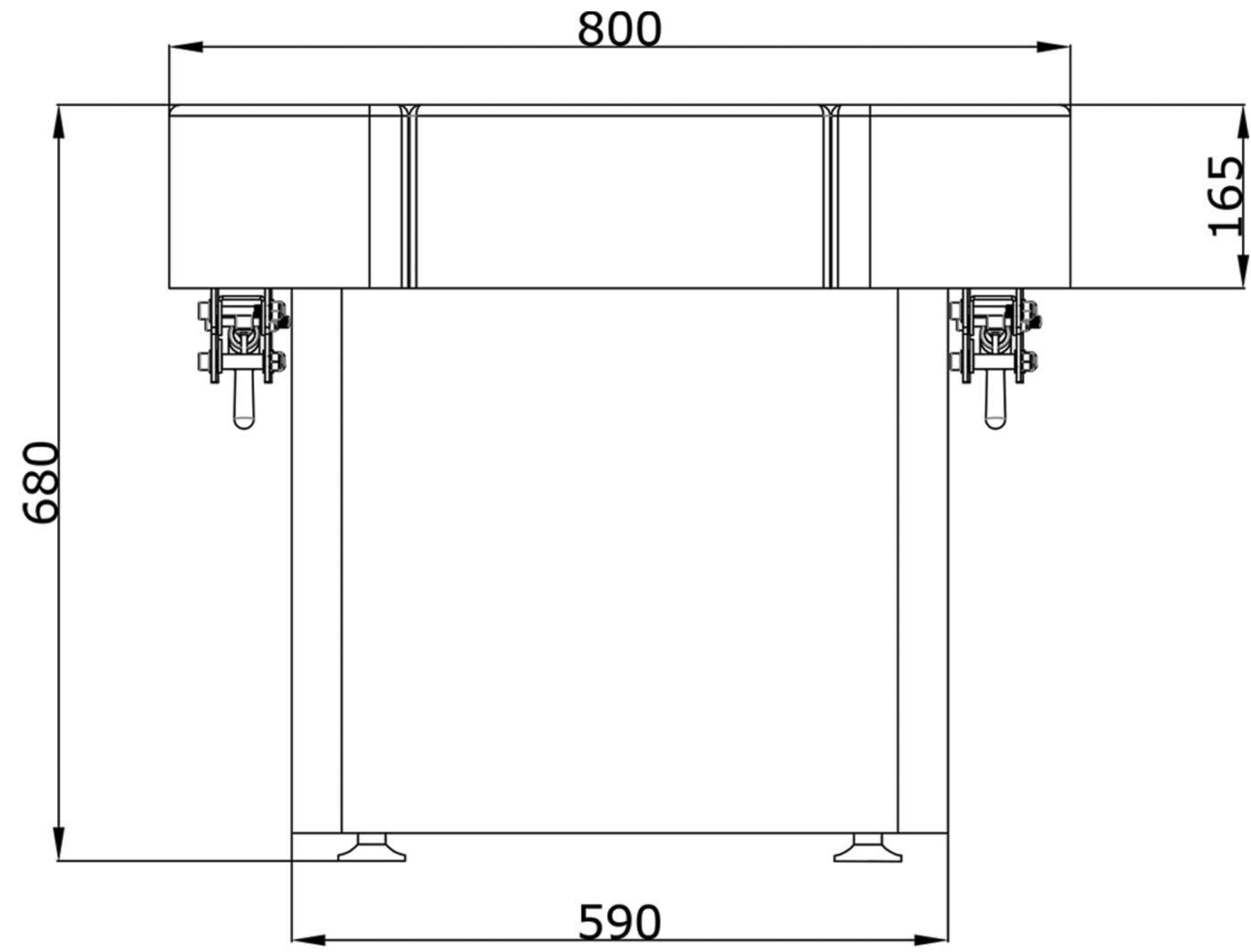
**WEIGHTS:**

Table Weight  
 Shipping Weight  
 Shipping Weight

121 Kgs  
 190 Kgs  
 L 206 x W 88 x H 84 cm



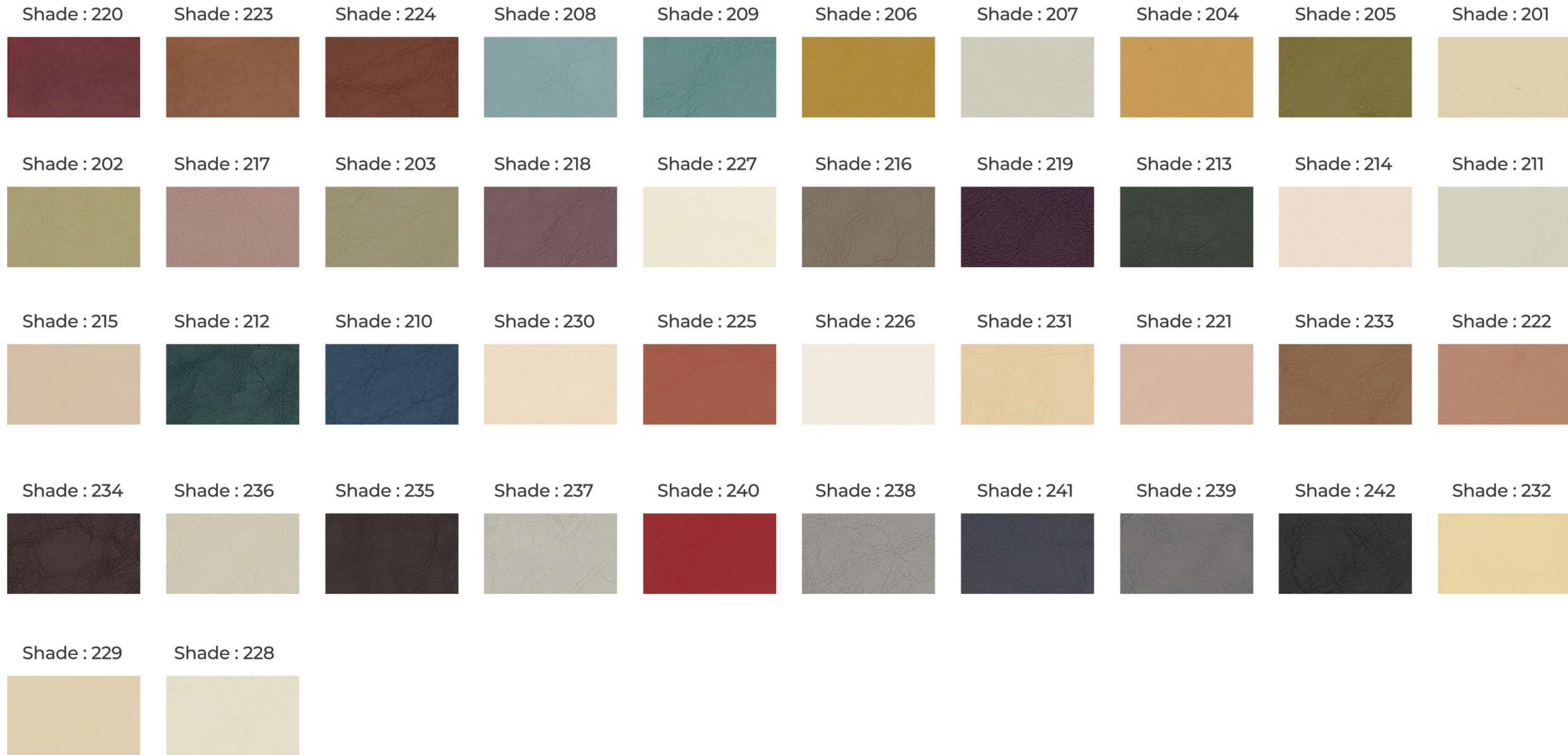
All dimensions are in mm



All dimensions are in mm

# RAMAN

## Upholstery & Wood Finishes



## UPHOLSTERY



## WOOD FINISHES