

KAYA MASSAGE BED

Kaya Massage Bed is a perfect massage bed designed for professional spa use crafted using the mortise and tenon technique for superior stability and strength. It features adjustable backrest and height settings to accommodate massage preferences



TOP DESIGN

Two Section Top Mattress

FOAM

120 mm mixed layers of different densities for comfortable massage experience

UPHOLSTERY

PVC Coated Fabric

FRAME STRUCTURE

Solid wood construction with tenon & mortise Joinery
Reclining Mechanism is Nylon and SS 304 (corrosion resistant material)

ADJUSTMENT (HEIGHT)

Fixed Height

ADJUSTMENT (BACKREST)

Manual backrest adjustment

STORAGE SPACE

91 x 52 x 31 cm

LOAD BEARING CAPACITY

250 kgs

UPHOLSTERY

Type	Flame / UV / Abrasion Resistant 1.2 mm Coated Fabric
Color Options	40 Colour Options
Weight	660 gsm + 5%
Abrasion	EN ISO 5470=2, 25000 cycles

WOOD FINISH

Dark Walnut, Yellow Teak, Natural Spruce and Wenge Colour

WARRANTY

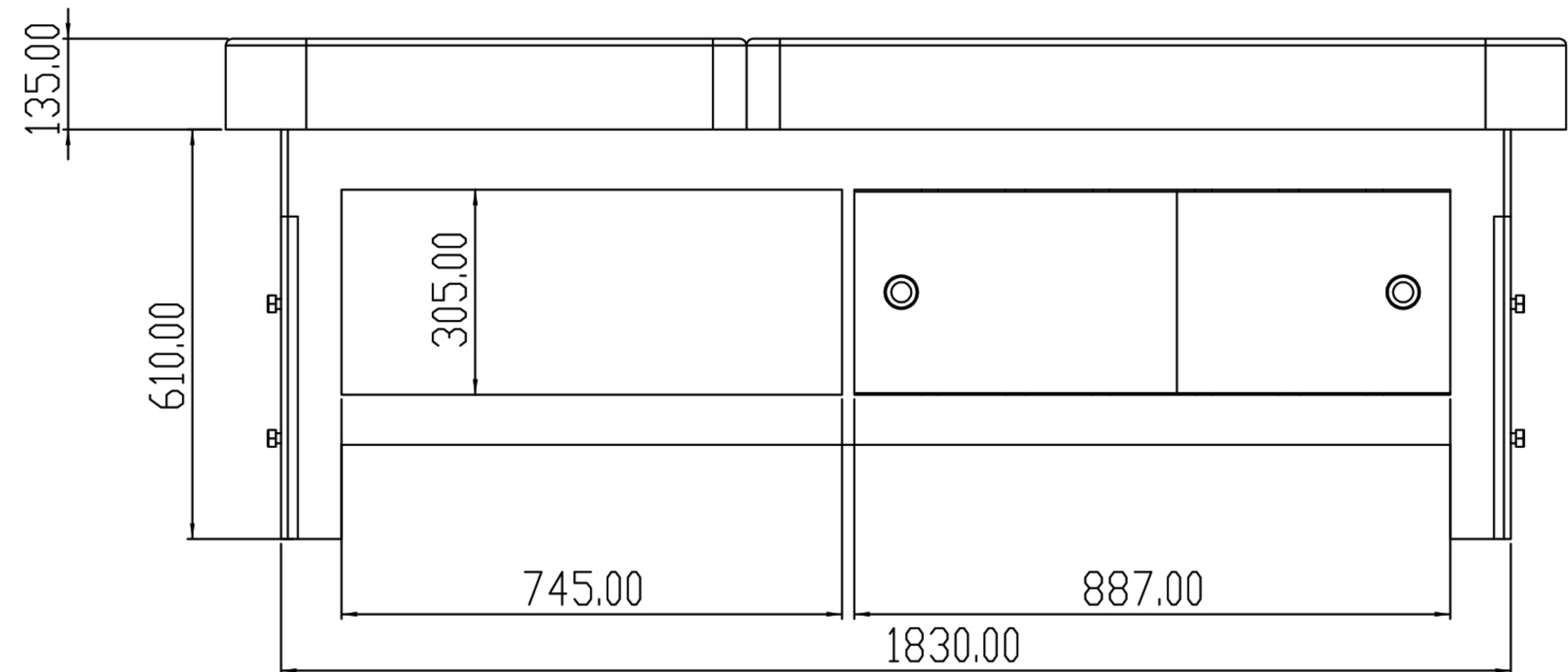
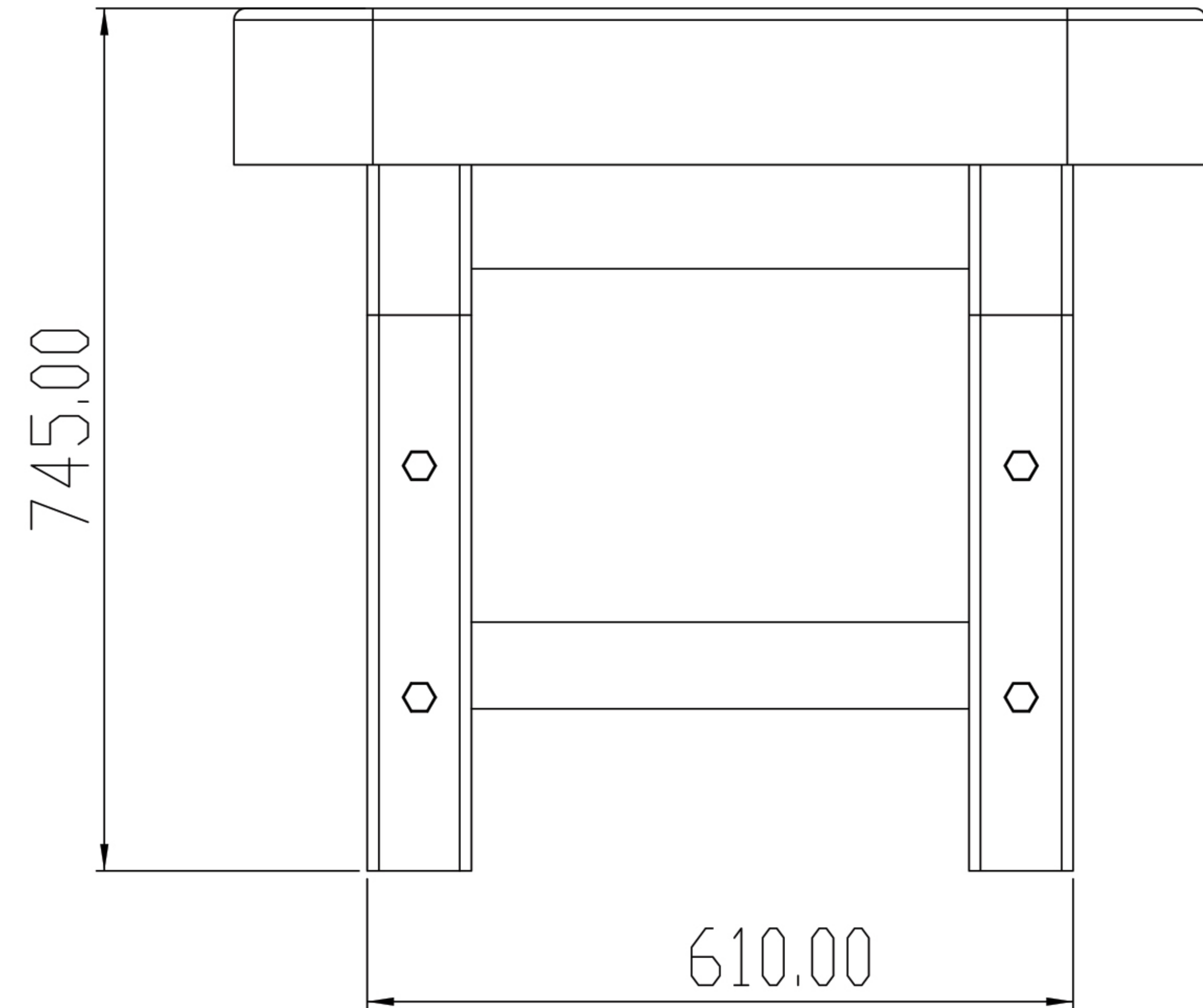
Structure	5 years
Upholstery	1 year

WEIGHTS

Table Weight	85 kgs
Shipping weight	115 kgs
Shipping Dimensions	211 x 91 x 92 cm

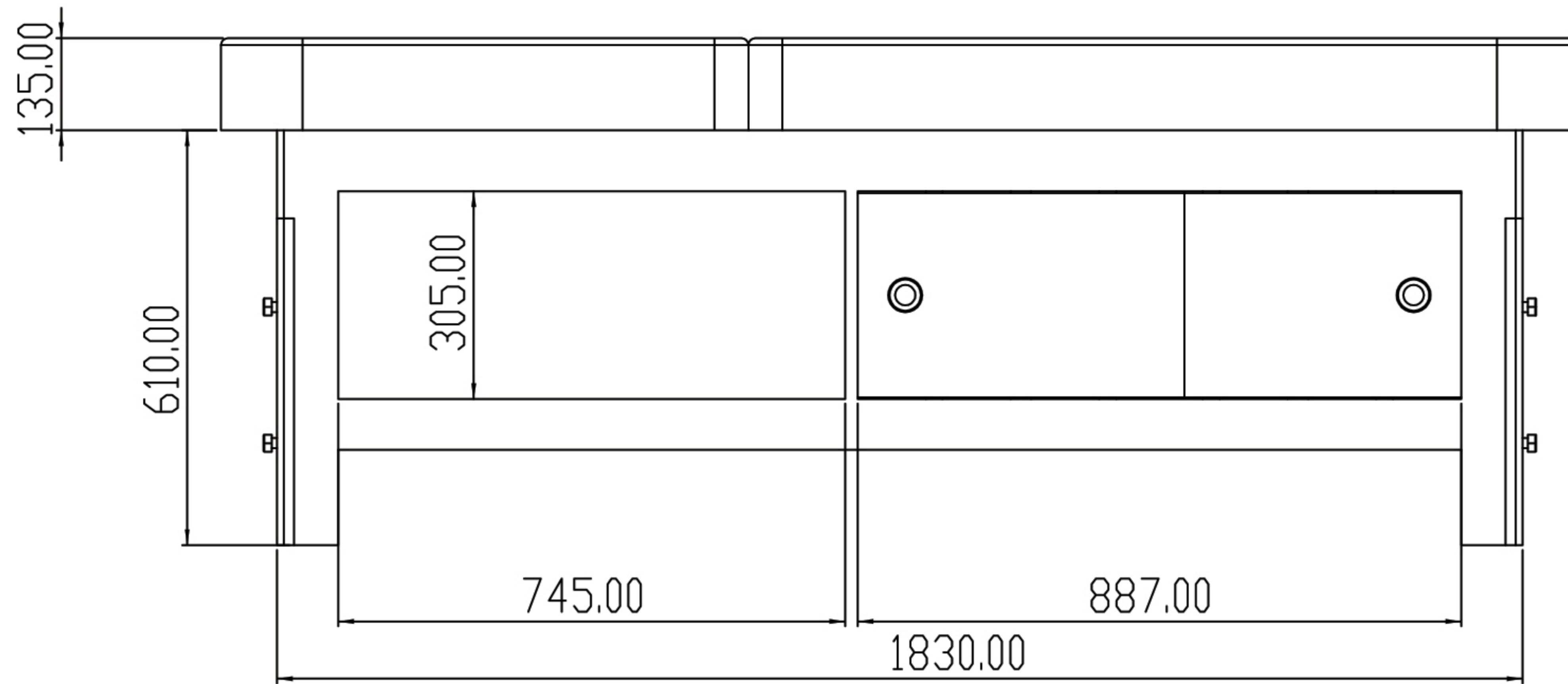
OPTIONAL

Height adjustment feature can be added on request

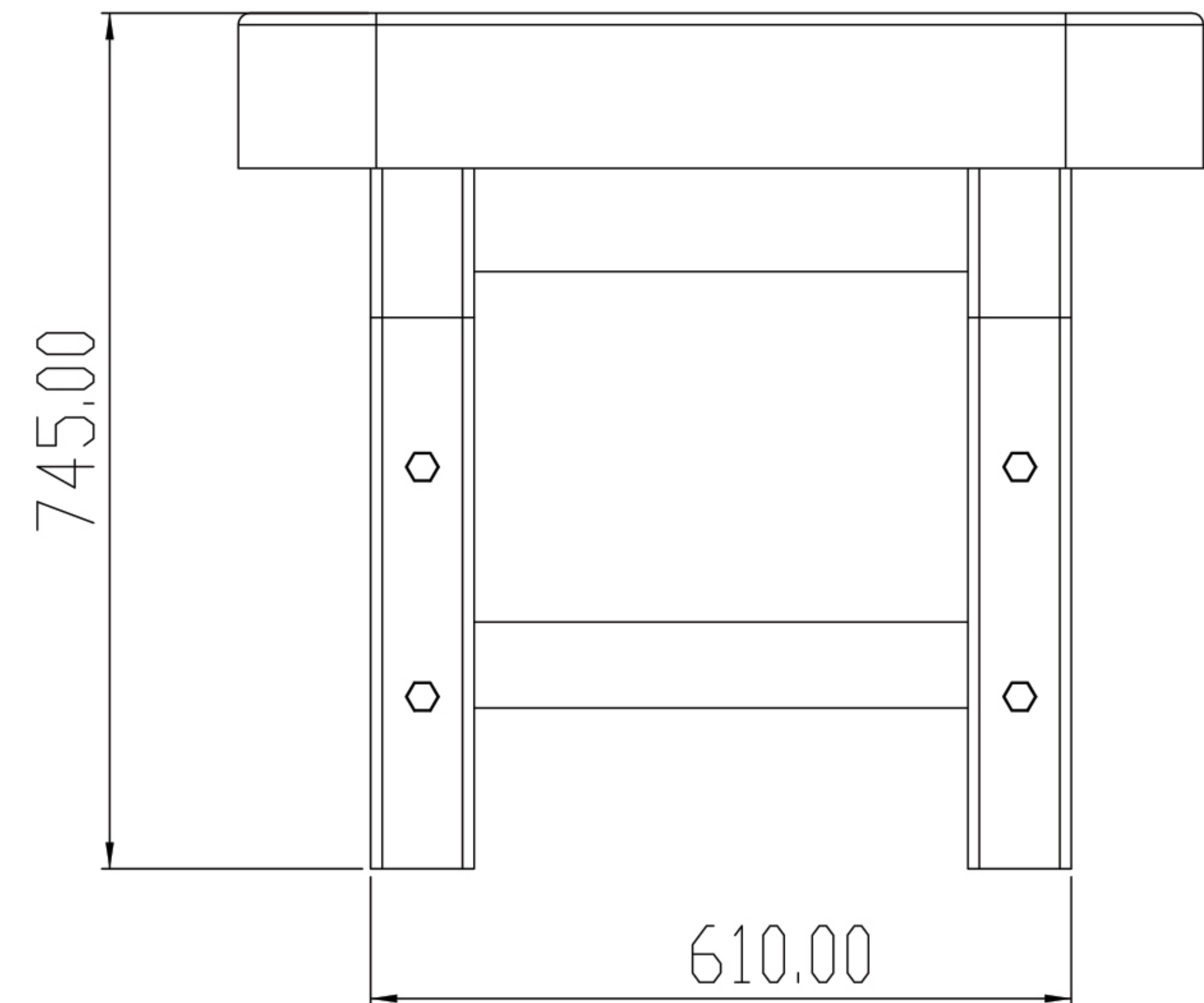


All dimensions are in mm

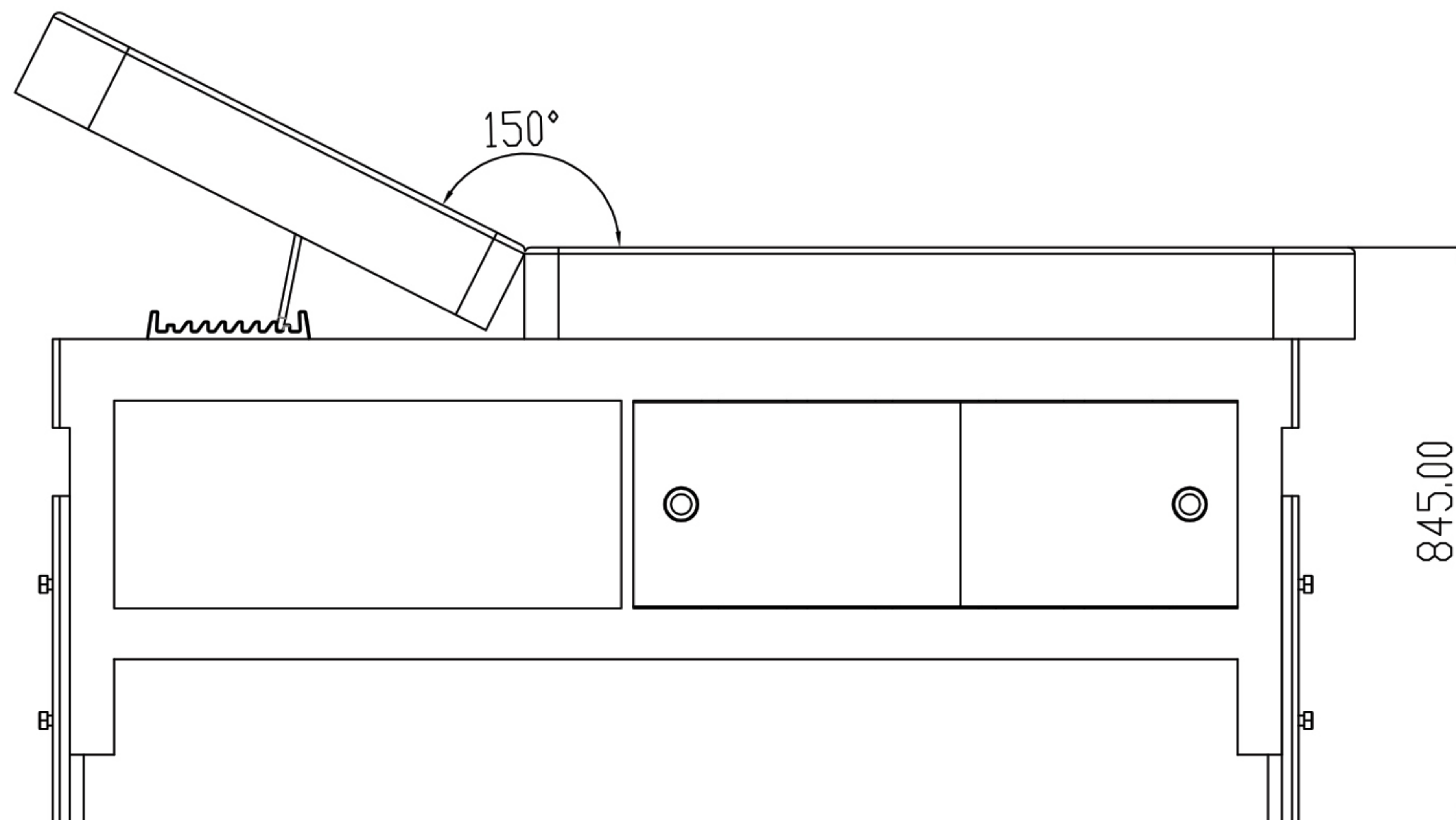
SIDE VIEW



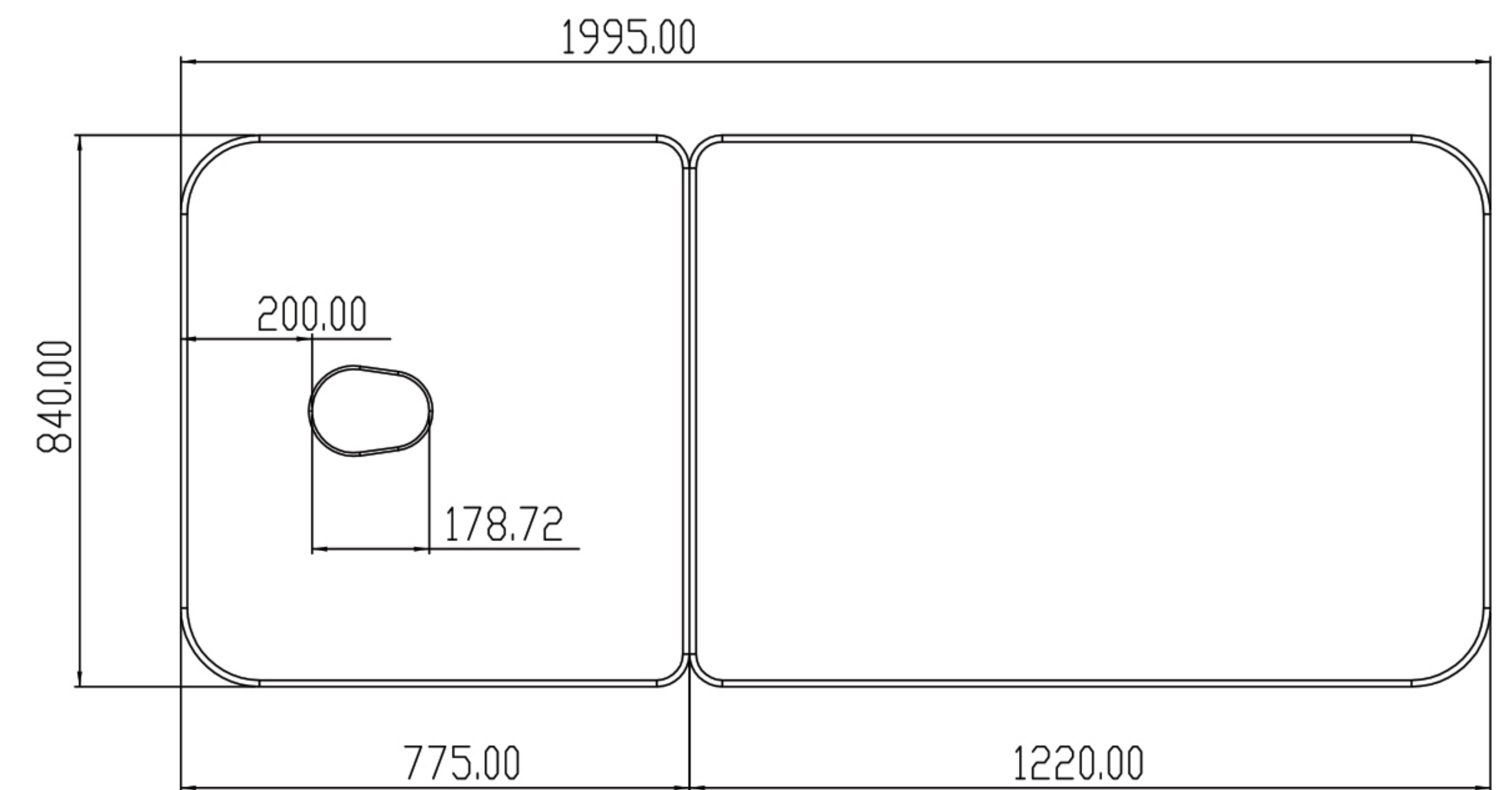
FRONT VIEW



ANGLE VIEW

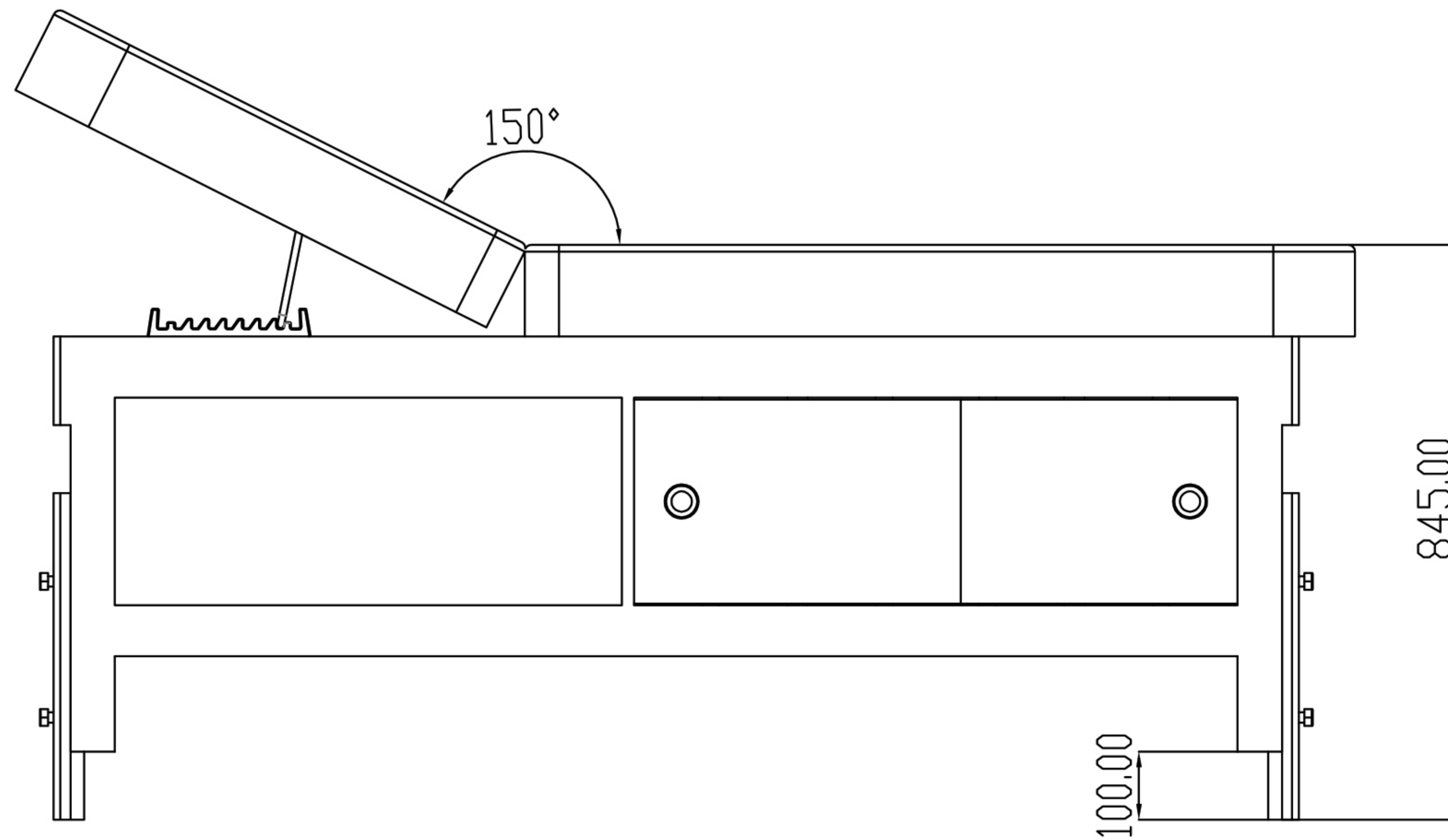


TOP VIEW

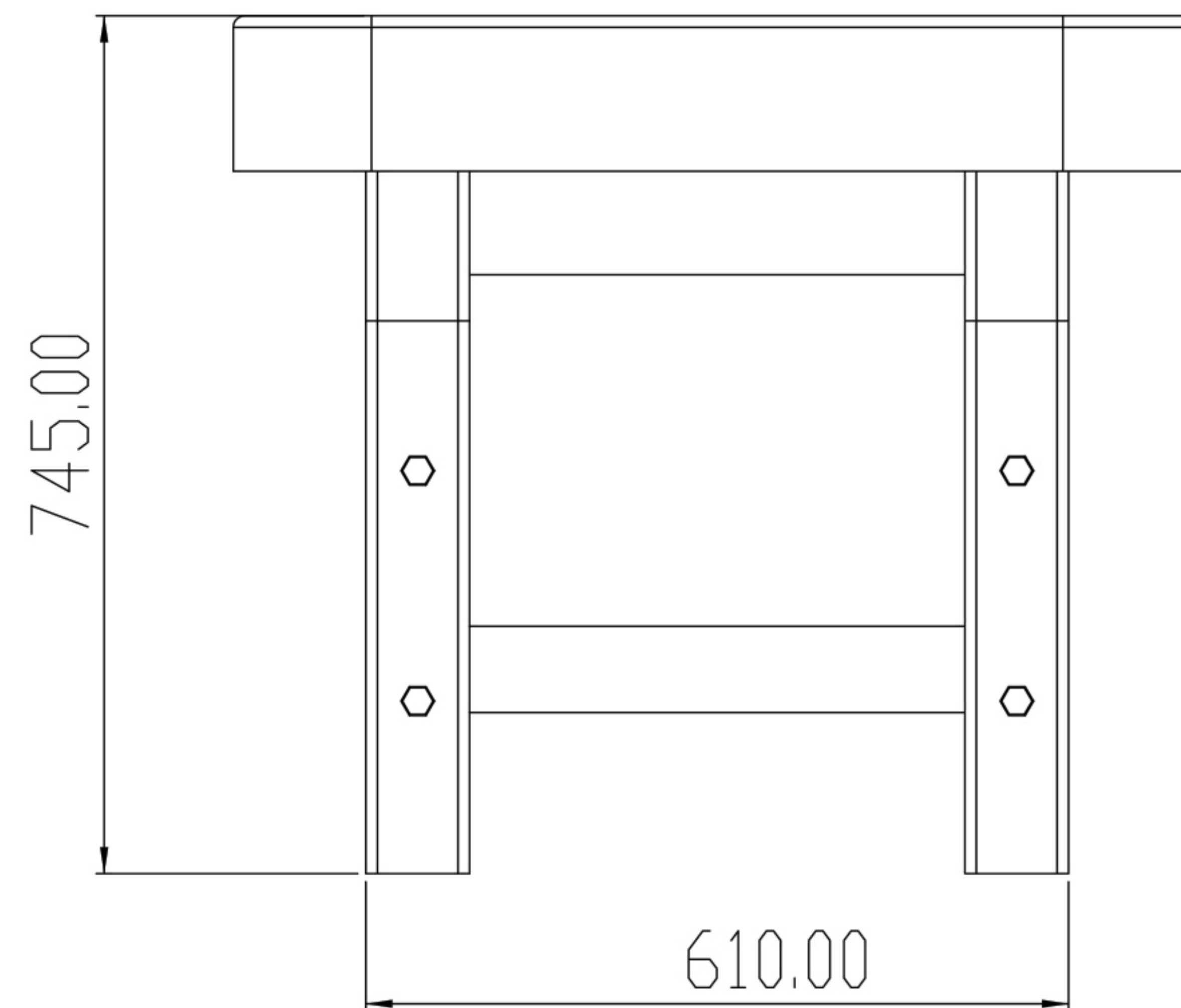


All dimensions are in mm

MAXIMUM HEIGHT



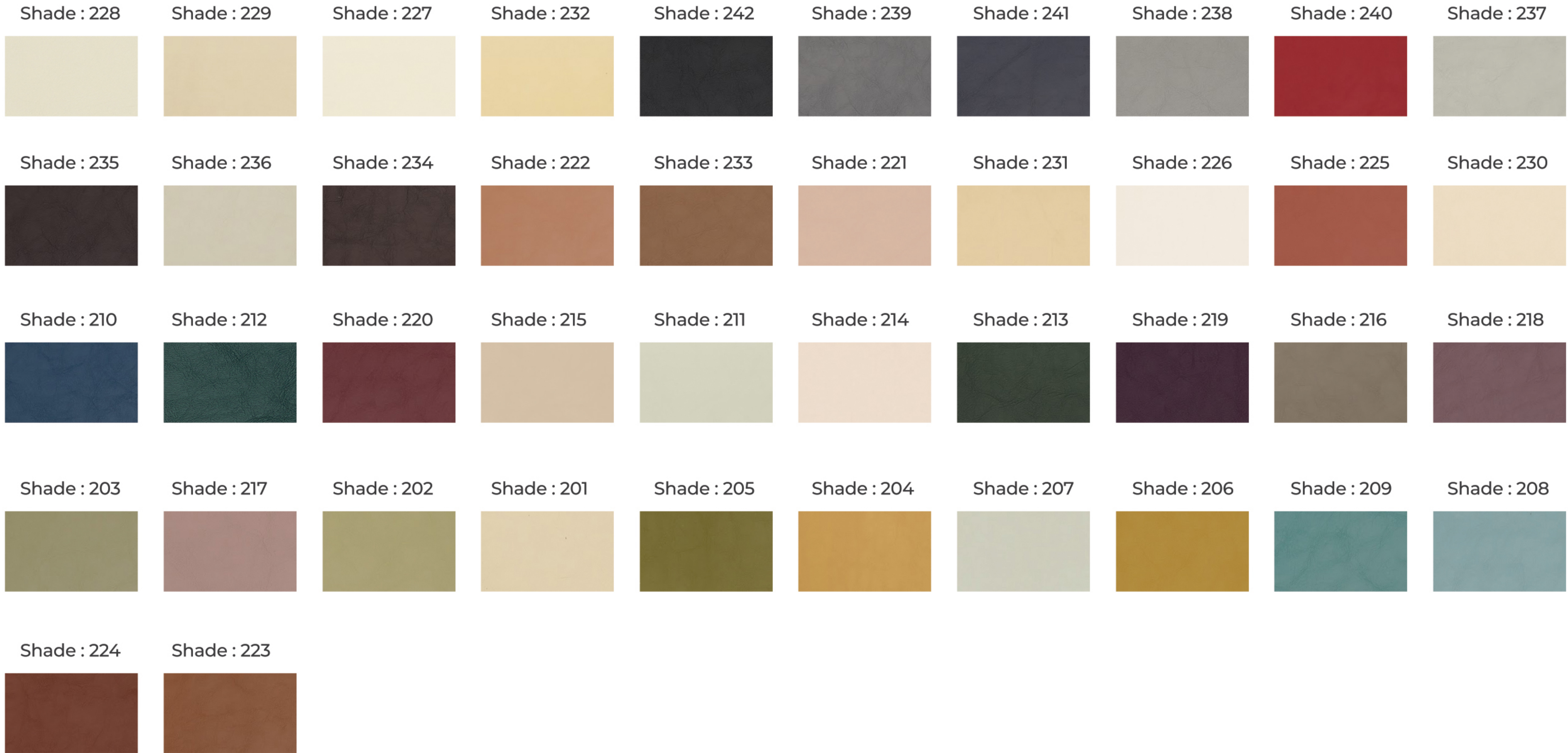
MINIMUM HEIGHT



All dimensions are in mm

KAYA MASSAGE BED

Upholstery & Wood Finishes



UPHOLSTERY



WOOD FINISHES